



# FUSERBLOC

Fuse combination switches  
for industrial fuses up to 1250 A

Fuse protection



fuser\_548\_a\_1\_cat

FUSERBLOC  
630 to 1250 A



fuser\_552\_a\_1\_cat

FUSERBLOC  
32 to 400 A



fuser\_539\_a\_1\_cat

FUSERBLOC  
20 to 32 A

## Function

FUSERBLOC are manually operated multipolar fuse combination switches. They make and break on load and provide safety isolation and protection against overcurrent for any low voltage electrical circuit.

## Advantages

### Improved safety

- Complete isolation of the fuse with double breaking per pole (top and bottom of fuse).
- Positive break indication.
- IP2X protection with terminal shrouds front panel.

### High breaking capacity

Protection against overloads and short-circuits thanks to high breaking capacity fuses (100 kA rms).

### Specific functionalities for simplified use

- TEST position for testing control circuits without power using U-type auxiliary contacts. In TEST position, the enclosure door can be opened.
- Mechanical or electronic fuse melting detection system (see DDMM or FMD).

## The solution for

- > Motor load break.
- > Protection of industrial cabinet.



## Strong points

- > Improved safety.
- > High breaking capacity.
- > Specific functionalities for simplified use.

## A complete range.

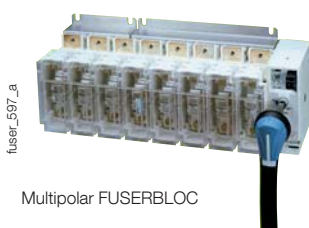
- > Centred or left side operation, rear connections, plug-in connections. Please consult us.

## Conformity to standards

- > IEC 60947-3
- > EN 60947-3
- > BS EN 60947-3
- > NBN EN 60947-3
- > IEC 60269-1
- > DIN EN 60269-1
- > NF EN 60269-1
- > IEC 60269-2
- > VDE 0636-1
- > VDE 0660-107
- > Standards UL: see FUSERBLOC UL

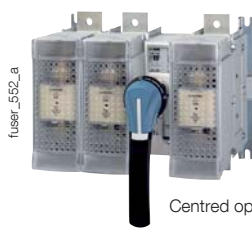


## Customised solutions



fuser\_597\_a

Multipolar FUSERBLOC



fuser\_552\_a

Centred operation

## Approvals and certifications<sup>(1)</sup>



<sup>(1)</sup> Product reference on request.

## What you need to know

- In addition to the FUSERBLOC rating, product selection also depends on the fuse characteristics and functional specifications, which need to be in accordance with the application. SOCOMEC FUSERBLOC are available for utilisation with **NFC, DIN or BS88 fuses**.

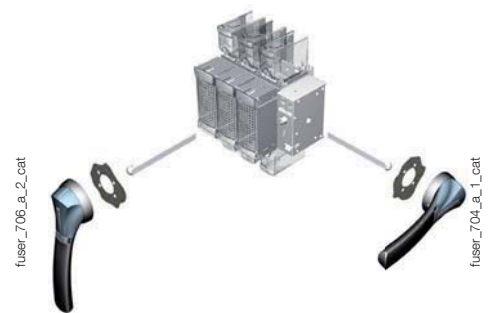
- Whether it is 3 pole + switched neutral or 3 pole + solid neutral, the **FUSERBLOC 20 to 32 A** with **direct front operation** and **external operation** is the best suited solution in compact design.



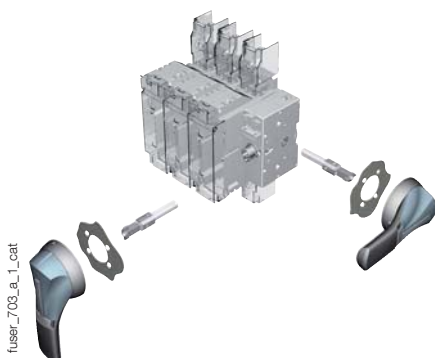
- From 32 to 400 A, the FUSERBLOC is available in 2, 3 or 4 poles with **direct right side operation**.



- From 630 to 1250 A, the FUSERBLOC allows **direct** and **external front left or right side operation** in 2, 3 or 4 poles.



- With external operation, it is possible to operate the device in 3 ways:
  - **Front** operation
  - **Right side** operation
  - **Left side** operation.



- For ratings 20 to 400 A, the **flat mounting kit** provides a compact solution ideally suited to withdrawable applications.



- Maintenance of outputs from the DC common bus. The **FUSERBLOC LMDC** is the most compact solution and the most economical for your maintenance requirements (please consult us).



# FUSERBLOC

## Fuse combination switches

for industrial fuses up to 1250 A

### References

#### BS 88 - External front and side operation - 20 to 160 A

Rating (A) Fuse size Frame size	Number of poles	Reference Switch I-0	Reference Changeover I - 0 - II	External front handle I-0	TEST External front handle I-0 TEST	External right side handle I - 0	Changeover external front handle I - 0 - II	Shaft extensions for handle	Terminal shrouds <sup>(3)</sup>	U type A/C <sup>(2)</sup>	Integrated solid neutral link
20 A A1 0	3 P	3641 3000	3680 3000					320 mm 1401 0532			
	3 P + switched neutral	3641 4000	3680 4000								
	3 P+solid neutral	3641 5000									
CD 32 A A1 0	3 P	3641 3001	3680 3001	Black S1 type IP55 1411 2111 <sup>(1)</sup>	Black S1 type IP65 1413 2115 <sup>(1)</sup>	Black S1 type IP55 1415 2111 <sup>(1)</sup>	Black S1 type IP55 1411 2113 <sup>(1)</sup>				
	3 P + switched neutral	3641 4001	3680 4001								
	3 P + solid neutral	3641 5001									
32 A A1 11	2 P	3841 2003		Red/Yellow S1 type 1414 2111	Red/Yellow S1 type IP65 1414 2115	Red/Yellow S1 type IP65 1418 2111	Red/Yellow S1 type IP65 1414 2113		Standard		
	3 P	3841 3003	3880 3003								
	4 P	3841 6003	3880 6003								
63 A A2-A3 12	2 P	3841 2006								1 contact NO 3999 0701	
	3 P	3841 3006	3880 3006								
	4 P	3841 6006	3880 6006								
100 A A4 <sup>(4)</sup> 13	2 P	3841 2010						320 mm 1400 1032		1 contact NC 3999 0702	3829 9310
	3 P	3841 3010	3880 3010								
	4 P	3841 6010	3880 6010								
CD 160 A A3-A4 <sup>(4)</sup> 13 A	2 P	3841 2014		Black S2 type IP55 1421 2111 <sup>(1)</sup>	Black S2 type IP65 1423 2115 <sup>(1)</sup>	Black S2 type IP55 1425 2111 <sup>(1)</sup>	Black S2 type IP55 1421 2113 <sup>(1)</sup>				
	3 P	3841 3014	3880 3014								
	4 P	3841 6014	3880 6014								
160 A A4 14	2 P	3841 2015		Red/Yellow S2 type IP65 1424 2111	Red/Yellow S2 type IP65 1424 2115	Red/Yellow S2 type IP65 1428 2111	Red/Yellow S2 type IP65 1424 2113				3829 9320
	3 P	3841 3015	3880 3015								
	4 P	3841 6015	3880 6015								
160 A B1-B2 14	2 P	3841 2016									
	3 P	3841 3016	3880 3016								
	4 P	3841 6016	3880 6016								

(1) Standard.

(2) 4 auxiliary contacts as standard without additional contact holder.

(3) Top/bottom.

(4) For fuse size A4: max diameter 31 mm.

## BS 88 - External front and side operation - 200 to 1250 A

Rating (A) Fuse size Frame size	Number of poles	Reference Switch I-0	Reference Changeover I - 0 - II	External front handle I-0	TEST External front handle I-0 TEST	External right side handle I - 0	Changeover external front handle I - 0 - II	Shaft extensions for handle	Terminal shrouds <sup>(3)</sup>	U type A/C <sup>(2)</sup>	Integrated solid neutral link																		
CD 200 A A3-A4 (5) 13 A	2 P	3841 <b>2019</b>		Black S2 type IP55 1421 <b>2111</b> <sup>(1)</sup> Red/Yellow S2 type IP65 1424 <b>2111</b>	Black S2 type IP65 1423 <b>2115</b> <sup>(1)</sup> Red/Yellow S2 type IP65 1424 <b>2115</b>	Black S2 type IP55 1425 <b>2111</b> <sup>(1)</sup> Red/Yellow S2 type IP65 1428 <b>2111</b>	Black S2 type IP55 1421 <b>2113</b> <sup>(1)</sup>	320 mm 1400 <b>1032</b>	2 P 3998 <b>2016</b>	1 contact NO 3999 <b>0701</b>  1 contact NC 3999 <b>0702</b>	3829 <b>9320</b>																		
	3 P	3841 <b>3019</b>	3880 <b>3019</b>						3 P 3998 <b>3016</b>																				
	4 P	3841 <b>6019</b>	3880 <b>6019</b>						4 P 3998 <b>4016</b>																				
200 A B1-B2 15	2 P	3841 <b>2021</b>							Black S2 type IP55 1421 <b>2111</b> <sup>(1)</sup> Red/Yellow S2 type IP65 1424 <b>2111</b>		Black S2 type IP65 1423 <b>2115</b> <sup>(1)</sup> Red/Yellow S2 type IP65 1424 <b>2115</b>	Black S2 type IP55 1425 <b>2111</b> <sup>(1)</sup> Red/Yellow S2 type IP65 1428 <b>2111</b>	Black S2 type IP55 1421 <b>2113</b> <sup>(1)</sup>	320 mm 1400 <b>1032</b>	2 P 3998 <b>2025</b>	1 contact NO 3999 <b>0701</b>  1 contact NC 3999 <b>0702</b>	3829 <b>9325</b>												
	3 P	3841 <b>3021</b>	3880 <b>3021</b>												3 P 3998 <b>3016</b>														
	4 P	3841 <b>6021</b>	3880 <b>6021</b>												4 P 3998 <b>4016</b>														
250 A B1-B2-B3 15	2 P	3841 <b>2024</b>													Black S2 type IP55 1421 <b>2111</b> <sup>(1)</sup> Red/Yellow S2 type IP65 1424 <b>2111</b>		Black S2 type IP65 1423 <b>2115</b> <sup>(1)</sup> Red/Yellow S2 type IP65 1424 <b>2115</b>	Black S2 type IP55 1425 <b>2111</b> <sup>(1)</sup> Red/Yellow S2 type IP65 1428 <b>2111</b>	Black S2 type IP55 1421 <b>2113</b> <sup>(1)</sup>	320 mm 1400 <b>1032</b>	2 P 3998 <b>2025</b>	1 contact NO 3999 <b>0701</b>  1 contact NC 3999 <b>0702</b>	3829 <b>9339</b>						
	3 P	3841 <b>3024</b>	3880 <b>3024</b>																		3 P 3998 <b>3016</b>								
	4 P	3841 <b>6024</b>	3880 <b>6024</b>																		4 P 3998 <b>4016</b>								
315 A B1-B2-B3 16	2 P	3841 <b>2032</b>																			Black S2 type IP55 1421 <b>2111</b> <sup>(1)</sup> Red/Yellow S2 type IP65 1424 <b>2111</b>		Black S2 type IP65 1423 <b>2115</b> <sup>(1)</sup> Red/Yellow S2 type IP65 1424 <b>2115</b>	Black S2 type IP55 1425 <b>2111</b> <sup>(1)</sup> Red/Yellow S2 type IP65 1428 <b>2111</b>	Black S2 type IP55 1421 <b>2113</b> <sup>(1)</sup>	320 mm 1400 <b>1032</b>	2 P 3998 <b>2025</b>	1 contact NO 3999 <b>0701</b>  1 contact NC 3999 <b>0702</b>	3829 <b>9339</b>
	3 P	3841 <b>3032</b>	3880 <b>3032</b>																								3 P 3998 <b>3016</b>		
	4 P	3841 <b>6032</b>	3880 <b>6032</b>																								4 P 3998 <b>4016</b>		
400 A B1-B2- B3-B4 16	2 P	3841 <b>2038</b>		Black S2 type IP55 1421 <b>2111</b> <sup>(1)</sup> Red/Yellow S2 type IP65 1424 <b>2111</b>	Black S2 type IP65 1423 <b>2115</b> <sup>(1)</sup> Red/Yellow S2 type IP65 1424 <b>2115</b>	Black S2 type IP55 1425 <b>2111</b> <sup>(1)</sup> Red/Yellow S2 type IP65 1428 <b>2111</b>	Black S2 type IP55 1421 <b>2113</b> <sup>(1)</sup>	320 mm 1400 <b>1032</b>		2 P 3998 <b>2025</b>																	1 contact NO 3999 <b>0701</b>  1 contact NC 3999 <b>0702</b>		3829 <b>9339</b>
	3 P	3841 <b>3038</b>								3 P 3998 <b>3016</b>																			
	4 P	3841 <b>6038</b>								4 P 3998 <b>4016</b>																			
630 A C1-C2 17	2 P	3821 <b>2063</b>							Black S3 type IP65 1433 <b>3111</b> <sup>(1)</sup> Red/Yellow S3 type IP65 1434 <b>3111</b>	Black S3 type IP65 1437 <b>3111</b> <sup>(1)</sup> Red/Yellow S3 type IP65 1438 <b>3111</b>	Black S3 type IP65 1437 <b>3111</b> <sup>(1)</sup> Red/Yellow S3 type IP65 1438 <b>3111</b>	Black S3 type IP65 1437 <b>3111</b> <sup>(1)</sup> Red/Yellow S3 type IP65 1438 <b>3111</b>	320 mm 1400 <b>1232</b>	2 P 3898 <b>2080</b>		1 contact NO 3999 <b>0701</b>  1 contact NC 3999 <b>0702</b>													3829 <b>9308</b>
	3 P	3821 <b>3063</b>												3 P 3898 <b>3080</b>															
	4 P	3821 <b>6063</b>												4 P 3898 <b>4080</b>															
800 A C1-C2-C3 17	2 P	3821 <b>2080</b>												Black S3 type IP65 1433 <b>3111</b> <sup>(1)</sup> Red/Yellow S3 type IP65 1434 <b>3111</b>	Black S3 type IP65 1437 <b>3111</b> <sup>(1)</sup> Red/Yellow S3 type IP65 1438 <b>3111</b>		Black S3 type IP65 1437 <b>3111</b> <sup>(1)</sup> Red/Yellow S3 type IP65 1438 <b>3111</b>	Black S3 type IP65 1437 <b>3111</b> <sup>(1)</sup> Red/Yellow S3 type IP65 1438 <b>3111</b>	320 mm 1400 <b>1232</b>	2 P 3898 <b>2120</b>		1 contact NO 3999 <b>0701</b>  1 contact NC 3999 <b>0702</b>							3829 <b>9312</b>
	3 P	3821 <b>3080</b>																		3 P 3898 <b>3080</b>									
	4 P	3821 <b>6080</b>																		4 P 3898 <b>4080</b>									
1250 A D1 18	2 P	3821 <b>2120</b>																		Black S4 type IP65 1443 <b>3111</b> <sup>(1)</sup>	Black S4 type IP65 1443 <b>3111</b> <sup>(1)</sup>		Black S4 type IP65 1443 <b>3111</b> <sup>(1)</sup>	Black S4 type IP65 1443 <b>3111</b> <sup>(1)</sup>	320 mm 1400 <b>1232</b>	3898 <b>2120</b>		1 contact NO 3999 <b>0701</b>  1 contact NC 3999 <b>0702</b>	3829 <b>9312</b>
	3 P	3821 <b>3120</b>																								3898 <b>3120</b>			
	4 P	3821 <b>6120</b>																								3898 <b>4120</b>			

(1) Standard.

(2) 4 auxiliary contacts as standard without additional contact holder.

(3) Top/bottom.

(4) 8 AC as standard without support (the support is for 8 additional auxiliary contacts).

(5) For fuse size A4: max diameter 31mm

# FUSERBLOC

## Fuse combination switches

for industrial fuses up to 1250 A

### References (continued)

#### BS 88 - Direct operation - 20 to 160 A

Rating (A) Fuse size Frame size	Number of poles	Reference Side direct operation	Reference Direct front operation	Side direct handle operation switch	Direct front handle	Auxiliary contacts	Terminal shrouds <sup>(3)</sup>	Cage terminals	Handle key interlocking accessories <sup>(2)</sup>						
20 A A1 0	3 P		3641 <b>3000</b>	Black 3629 <b>4012</b>	Black 3629 <b>4012</b>	1 contact NO/NC A-type 3999 <b>0001</b> <sup>(1)</sup>	Standard	Standard							
	3 P + switched neutral		3641 <b>4000</b>												
	3 P + solid neutral		3641 <b>5000</b>												
CD 32 A A1 0	3 P		3641 <b>3001</b>			Black 3629 <b>7900</b>				Black 3629 <b>4012</b>	2 contacts NO/NC A-type 3999 <b>0002</b> <sup>(1)</sup>	Standard	Standard		
	3 P + switched neutral		3641 <b>4001</b>												
	3 P + solid neutral		3641 <b>5001</b>												
32 A A1 1	2 P	3625 <b>2003</b>	consult us	Black 3629 <b>7900</b>	Black 3629 <b>4012</b>		1 contact NO/NC A-type 3999 <b>0021</b> <sup>(1)</sup>	Standard	Standard		3629 <b>7903</b>				
	3 P	3625 <b>3003</b>	consult us												
	4 P	3625 <b>6003</b>	consult us												
63 A A2-A3 2	2 P	3625 <b>2006</b>	consult us			Black 3629 <b>7901</b>				Black 3629 <b>4012</b>		2 contacts NO/NC A-type 3999 <b>0022</b> <sup>(1)</sup>	2 P 3998 <b>2016</b> 3 P 3998 <b>3016</b> 4 P 3998 <b>4016</b>	3 P 5400 <b>3016</b> 4 P 5400 <b>4016</b>	3629 <b>7913</b>
	3 P	3625 <b>3006</b>	consult us												
	4 P	3625 <b>6006</b>	consult us												
100 A A4 <sup>(4)</sup> 3	2 P	3625 <b>2010</b>	consult us	Black 3629 <b>7901</b>	Black 3629 <b>4012</b>		1 contact NO/NC A-type 3999 <b>0021</b> <sup>(1)</sup>	2 P 3998 <b>2016</b> 3 P 3998 <b>3016</b> 4 P 3998 <b>4016</b>	3 P 5400 <b>3016</b> 4 P 5400 <b>4016</b>		3629 <b>7913</b>				
	3 P	3625 <b>3010</b>	consult us												
	4 P	3625 <b>6010</b>	consult us												
CD 160 A A3-A4 <sup>(4)</sup> 3 A	2 P	3625 <b>2014</b>	consult us			Black 3629 <b>7901</b>				Black 3629 <b>4012</b>		2 contacts NO/NC A-type 3999 <b>0022</b> <sup>(1)</sup>	2 P 3998 <b>2016</b> 3 P 3998 <b>3016</b> 4 P 3998 <b>4016</b>	3 P 5400 <b>3016</b> 4 P 5400 <b>4016</b>	3629 <b>7913</b>
	3 P	3625 <b>3014</b>	consult us												
	4 P	3625 <b>6014</b>	consult us												
160 A A4 4	2 P	3625 <b>2015</b>	consult us	Black 3629 <b>7901</b>	Black 3629 <b>4012</b>		1 contact NO/NC A-type 3999 <b>0021</b> <sup>(1)</sup>	2 P 3998 <b>2016</b> 3 P 3998 <b>3016</b> 4 P 3998 <b>4016</b>	3 P 5400 <b>3016</b> 4 P 5400 <b>4016</b>		3629 <b>7913</b>				
	3 P	3625 <b>3015</b>	consult us												
	4 P	3625 <b>6015</b>	consult us												
160 A B1-B2 4	2 P	3625 <b>2016</b>	consult us			Black 3629 <b>7901</b>				Black 3629 <b>4012</b>		2 contacts NO/NC A-type 3999 <b>0022</b> <sup>(1)</sup>	2 P 3998 <b>2016</b> 3 P 3998 <b>3016</b> 4 P 3998 <b>4016</b>	3 P 5400 <b>3016</b> 4 P 5400 <b>4016</b>	3629 <b>7913</b>
	3 P	3625 <b>3016</b>	consult us												
	4 P	3625 <b>6016</b>	consult us												

(1) Max. 2 contacts.

(2) Lock not included.

(3) Top/bottom.

(4) For fuse size A4: max diameter 31 mm.

## BS 88 - Direct operation - 200 to 400 A

Rating (A) Fuse size Frame size	Number of poles	Reference Side direct operation	Reference Direct front operation	Side direct handle operation switch	Direct front handle	Auxiliary contacts	Terminal shrouds <sup>(3)</sup>	Cage terminals	Handle key interlocking accessories <sup>(2)</sup>
CD 200 A A3-A4 <sup>(4)</sup> 13 A	2 P	3625 <b>2019</b>	consult us	Black 3629 <b>7901</b>	consult us	1 contact NO/NC A-type 3999 <b>0021</b> <sup>(1)</sup>  2 contacts NO/NC A-type 3999 <b>0022</b> <sup>(1)</sup>	2 P 3998 <b>2016</b> 3 P 5400 <b>3016</b>	3 P 5400 <b>3016</b> 4 P 5400 <b>4016</b>	3629 <b>7913</b>
	3 P	3625 <b>3019</b>	consult us						
	4 P	3625 <b>6019</b>	consult us						
200 A B1-B2 5	2 P	3625 <b>2021</b>	consult us						
	3 P	3625 <b>3021</b>	consult us						
	4 P	3625 <b>6021</b>	consult us						
250 A B1-B2-B3 5	2 P	3625 <b>2024</b>	consult us						
	3 P	3625 <b>3024</b>	consult us						
	4 P	3625 <b>6024</b>	consult us						
315 A B1-B2-B3 6	2 P	3625 <b>2032</b>	consult us						
	3 P	3625 <b>3032</b>	consult us						
	4 P	3625 <b>6032</b>	consult us						
400 A B1-B2-B3-B4 6	2 P	3625 <b>2039</b>	consult us						
	3 P	3625 <b>3039</b>	consult us						
	4 P	3625 <b>6039</b>	consult us						

(1) Max. 2 contacts.

(2) Lock not included.

(3) Top/bottom.

(4) For fuse size A4: max diameter 31 mm.

## BS 88 - Direct operation - 630 to 1250 A

Rating (A) Fuse size Frame size	Number of poles	Reference Side direct operation	Reference Direct front operation	Side direct handle operation switch	Direct front handle	Auxiliary contacts	Terminal shrouds <sup>(3)</sup>	Cage terminals	Handle key interlocking accessories <sup>(2)</sup>	
630 A C1-C2 17	2 P	3821 <b>2063</b>	3821 <b>2063</b>	Black 3899 <b>7911</b>	Black 3899 <b>6011</b>	1 contact NO U-type 3999 <b>0701</b> <sup>(1)</sup>	2 P 3898 <b>2080</b> 3 P 3898 <b>3080</b> 4 P 3898 <b>4080</b>			
	3 P	3821 <b>3063</b>	3821 <b>3063</b>							
	4 P	3821 <b>6063</b>	3821 <b>6063</b>							
800 A C1-C2-C3 17	2 P	3821 <b>2080</b>	3821 <b>2080</b>		Black 3899 <b>7011</b>	Black 3899 <b>7011</b>	1 contact NC U-type 3999 <b>0702</b> <sup>(1)</sup>	3898 <b>2120</b> 3898 <b>3120</b> 3898 <b>4120</b>		
	3 P	3821 <b>3080</b>	3821 <b>3080</b>							
	4 P	3821 <b>6080</b>	3821 <b>6080</b>							
1250 A D1 18	2 P	3821 <b>2120</b>	3821 <b>2120</b>							
	3 P	3821 <b>3120</b>	3821 <b>3120</b>							
	4 P	3821 <b>6120</b>	3821 <b>6120</b>							

(1) Max. number of U-type auxiliary contacts is 8.

(2) Lock not included.

(3) Top/bottom.

# FUSERBLOC

## Fuse combination switches

for industrial fuses up to 1250 A

### References

#### NFC and DIN - External front and right side operation - 25 to 125 A

Rating (A) / Fuse / Frame size	No. of poles	Switch I-0-TEST	Changeover switch I-0-II	External front handle	TEST external front handle	External right side handle	Changeover external front handle	Shaft for external handle	Auxiliary contacts <sup>(2)</sup>	Terminal shrouds <sup>(1)</sup>	Integrated solid neutral link
25 A 10 x 38 0	3 P	3631 3002 <sup>(1)</sup>	3670 3002	S1 type	S1 type						
	3 P + switched neutral	3631 4002 <sup>(1)</sup>	3670 4002								
	3 P + solid neutral	3631 5002 <sup>(1)</sup>									
CD 32 A 10 x 38 0	3 P	3631 3003	3670 3003	Black IP55 1411 2111	Black IP65 1413 2115			320 mm 1401 0532	U-type 1 contact 3999 0710		
	3 P + switched neutral	3631 4003	3670 4003								
	3 P + solid neutral	3631 5003									
32 A 14 x 51 0	3 P	3631 3004 <sup>(1)</sup>	3670 3004	Red/Yellow IP65 1414 2111	Red/Yellow IP65 1414 2115	S1 type	S1 type				
	3 P + switched neutral	3631 4004 <sup>(1)</sup>	3670 4004								
	3 P + solid neutral	3631 5004 <sup>(1)</sup>									
50 A 14 x 51 11	2 P	3831 2005		S1 type	S1 type					Standard	
	3 P	3831 3005 <sup>(1)</sup>	3870 3005								
	4 P	3831 6005 <sup>(1)</sup>	3870 6005								
63 A 00C 12	2 P	3831 2006		Red/Yellow IP65 1414 2111	Red/Yellow IP65 1414 2115						
	3 P	3831 3006 <sup>(1)</sup>	3870 3006								
	4 P	3831 6006 <sup>(1)</sup>	3870 6006								
100 A 22 x 58 13	2 P	3831 2010		S2 type	S2 type	S2 type	S2 type	320 mm 1400 1032 <sup>(3)</sup>	U-type 1 contact 3999 0600		
	3 P	3831 3010 <sup>(1)</sup>	3870 3010								
	4 P	3831 6010 <sup>(1)</sup>	3870 6010								
125 A 22 x 58 13	2 P	3831 2011		Black IP65 1421 2111	Black IP55 1423 2115	Black IP55 1425 2111	Black IP55 1421 2113			2 P 3998 2016 3 P 3998 3016 4 P 3998 4016	3829 9310
	3 P	3831 3011	3870 3010								
	4 P	3831 6011	3870 6010								
125 A 00 13	2 P	3831 2012		Red/Yellow IP65 1424 2111	Red/Yellow IP65 1424 2115	Red/Yellow IP65 1428 2111	Red/Yellow IP65 1424 2113				
	3 P	3831 3012	3870 3011								
	4 P	3831 6012	3870 6011								

(1) Available enclosed (see page "Enclosed fuse switches" page XXX).

(2) Top/bottom.

(3) Maximum 4 contacts.

## NFC and DIN - External front and right side operation - 160 to 1250 A

Rating (A) / Fuse / Frame size	No. of poles	Switch I-0	Changeover switch I-0-II	External front handle	TEST external front handle	External right side handle	Changeover external front handle	Shaft for external handle	Auxiliary contacts	Terminal shrouds <sup>(2)</sup>	Integrated solid neutral link	
160 A 00 13	2 P	3831 <b>2015</b>							U-type	2 P 3998 <b>2016</b> 3 P 3998 <b>3016</b> 4 P 3998 <b>4016</b>	3829 <b>9320</b>	
	3 P	3831 <b>3015</b>	3870 <b>3015</b>									
	4 P	3831 <b>6015</b>	3870 <b>6015</b>									
160 A 0 14	2 P	3831 <b>2016</b>		S2 type	S2 type	S2 type	S2 type	320 mm 1400 <b>1032</b>	1 contact 3999 <b>0600<sup>(3)</sup></b>	2 P 3998 <b>3016</b> 3 P 3998 <b>3016</b> 4 P 3998 <b>4016</b>	3829 <b>9320</b>	
	3 P	3831 <b>3016<sup>(1)</sup></b>	3870 <b>3016</b>	Black IP55 1421 <b>2111</b>	Black IP65 1423 <b>2115</b>	Black IP55 1425 <b>2111</b>	Black IP55 1421 <b>2113</b>					
	4 P	3831 <b>6016<sup>(1)</sup></b>	3870 <b>6016</b>									
250 A 1 15	2 P	3831 <b>2024</b>		Red/Yellow IP65 1424 <b>2111</b>	Red/Yellow IP65 1424 <b>2115</b>	Red/Yellow IP65 1428 <b>2111</b>	Red/Yellow IP65 1424 <b>2113</b>		U-type	2 P 3998 <b>2025</b> 3 P 3998 <b>3025</b> 4 P 3998 <b>4025</b>	3829 <b>9325</b>	
	3 P	3831 <b>3024<sup>(1)</sup></b>	3870 <b>3024</b>									
	4 P	3831 <b>6024<sup>(1)</sup></b>	3870 <b>6024</b>									
400 A 2 16	2 P	3831 <b>2039</b>							1 contact 3999 <b>0600<sup>(4)</sup></b>	2 P 3998 <b>3025</b> 3 P 3998 <b>3025</b> 4 P 3998 <b>4025</b>	3829 <b>9339</b>	
	3 P	3831 <b>3039<sup>(1)</sup></b>	3870 <b>3039</b>									
	4 P	3831 <b>6039<sup>(1)</sup></b>	3870 <b>6039</b>									
630 A 3 17	2 P	3811 <b>2063</b>		S3 type						2 P 3898 <b>2080</b> 3 P 3898 <b>3080</b> 4 P 3898 <b>4080</b>	3829 <b>9308</b>	
	3 P	3811 <b>3063<sup>(1)</sup></b>		Black IP65 1433 <b>3111</b>								
	4 P	3811 <b>6063<sup>(1)</sup></b>										
800 A 3 17	2 P	3811 <b>2080</b>		Red/Yellow IP65 1434 <b>3111</b>		S3 type		320 mm 1400 <b>1232</b>		2 P 3898 <b>2120</b> 3 P 3898 <b>3120</b> 4 P 3898 <b>4120</b>	3829 <b>9312</b>	
	3 P	3811 <b>3080</b>										Black IP65 1437 <b>3111</b>
	4 P	3811 <b>6080</b>										
800 A 4 18	2 P	3811 <b>2081</b>		S4 type			Red/Yellow IP65 1438 <b>3111</b>			2 P 3898 <b>2120</b> 3 P 3898 <b>3120</b> 4 P 3898 <b>4120</b>	3829 <b>9312</b>	
	3 P	3811 <b>3081</b>		Black IP65 1443 <b>3111</b>								
	4 P	3811 <b>6081</b>										
1250 A 4 18	2 P	3811 <b>2120</b>		Red/Yellow IP65 1444 <b>3111</b>						2 P 3898 <b>2120</b> 3 P 3898 <b>3120</b> 4 P 3898 <b>4120</b>	3829 <b>9312</b>	
	3 P	3811 <b>3120</b>										
	4 P	3811 <b>6120</b>										

(1) Available enclosed (see "Enclosed fuse switches" page XXX).

(2) Top/bottom.

(3) Maximum 4 contacts.

(4) Maximum 8 contacts.



# FUSERBLOC

## Fuse combination switches

for industrial fuses up to 1250 A

### References (continued)

#### NFC and DIN - Direct operation - 25 to 125 A

Rating (A) Fuse size Frame size	No. of poles	Direct side operation	Direct front operation	Direct handle	Auxiliary contacts	Terminal shrouds	Cage terminals	Lock for fuse protection cover	Handle key interlocking accessories <sup>(6)</sup>
25 A 10 x 38 0	3 P		3631 <b>3002</b>	Black 3629 <b>4012</b> <sup>(1)(2)</sup>	A-type 1 contact NO/NC 3999 <b>0001</b> <sup>(3)</sup>  A-type 2 contacts NO/NC 3999 <b>0002</b> <sup>(3)</sup>	Standard	Standard	Standard	
	3 P + switched neutral		3631 <b>4002</b>						
	3 P + solid neutral		3631 <b>5002</b>						
CD 32 A 10 x 38 0	3 P		3631 <b>3003</b>						
	3 P + switched neutral		3631 <b>4003</b>						
	3 P + solid neutral		3631 <b>5003</b>						
32 A 14 x 51 0	3 P		3631 <b>3004</b>						
	3 P + switched neutral		3631 <b>4004</b>						
	3 P + solid neutral		3631 <b>5004</b>						
50 A 14 x 51 1	2 P	3615 <b>2005</b>	consult us	Black 3629 <b>7900</b> <sup>(5)(2)</sup>	A-type 1 contact NO/NC 3999 <b>0021</b> <sup>(3)</sup>  A-type 2 contacts NO/NC 3999 <b>0022</b> <sup>(3)</sup>	Standard	Standard	3999 <b>8906</b>	3629 <b>7903</b>
	3 P	3615 <b>3005</b>	consult us						
	4 P	3615 <b>6005</b>	consult us						
63 A 00C 2	2 P	3615 <b>2006</b>	consult us						
	3 P	3615 <b>3006</b>	consult us						
	4 P	3615 <b>6006</b>	consult us						
100 A 22 x 58 3	2 P	3615 <b>2010</b>	consult us	Black 3629 <b>7901</b> <sup>(5)(2)</sup>	A-type 1 contact NO/NC 3999 <b>0021</b> <sup>(3)</sup>  A-type 2 contacts NO/NC 3999 <b>0022</b> <sup>(3)</sup>	2 P 3998 <b>2016</b> <sup>(4)</sup> 3 P 3998 <b>3016</b> <sup>(4)</sup> 4 P 3998 <b>4016</b> <sup>(4)</sup>	3 P 5400 <b>3016</b> 4 P 5400 <b>4016</b>	3999 <b>8912</b>	3629 <b>7913</b>
	3 P	3615 <b>3010</b>	consult us						
	4 P	3615 <b>6010</b>	consult us						
125 A 22 x 58 3	2 P	3615 <b>2011</b>	consult us						
	3 P	3615 <b>3011</b>	consult us						
	4 P	3615 <b>6011</b>	consult us						
125 A 00 3	2 P	3615 <b>2012</b>	consult us						
	3 P	3615 <b>3012</b>	consult us						
	4 P	3615 <b>6012</b>	consult us						

(1) Direct front operation.

(2) Standard.

(3) Maximum 2 contacts.

(4) Top or bottom.

(5) Direct right side operation.

(6) Locking using RONIS EL11AP lock (lock not included).

## NFC and DIN - Direct operation - 160 to 400 A

Rating (A) Fuse size Frame size	No. of poles	Direct side operation	Direct front operation	Direct handle	Auxiliary contacts	Terminal shrouds	Cage terminals	Lock for fuse protection cover	Handle key interlocking accessories <sup>(5)</sup>	
160 A 00 3	2 P	3615 <b>2015</b>	consult us	Black 3629 <b>7901</b> <sup>(4)(1)</sup>		2 P 3998 <b>2016</b> <sup>(3)</sup>	3 P 5400 <b>3016</b>	3999 <b>8912</b>	3629 <b>7913</b>	
	3 P	3615 <b>3015</b>	consult us			3 P 3998 <b>3016</b> <sup>(3)</sup>				3999 <b>8216</b>
	4 P	3615 <b>6015</b>	consult us			4 P 3998 <b>4016</b> <sup>(3)</sup>				3999 <b>8316</b>
160 A 0 4	2 P	3615 <b>2016</b>	consult us	Black 3629 <b>7901</b> <sup>(4)(1)</sup>	A-type 1 contact NO/NC 3999 <b>0021</b> <sup>(2)</sup>	3 P 5400 <b>3016</b>	3999 <b>8216</b>			
	3 P	3615 <b>3016</b>	consult us			4 P 3998 <b>4016</b> <sup>(3)</sup>	3999 <b>8316</b>			
	4 P	3615 <b>6016</b>	consult us				3999 <b>8416</b>			
250 A 1 5	2 P	3615 <b>2024</b>	consult us	Black 3629 <b>7901</b> <sup>(4)(1)</sup>	A-type 2 contacts NO/NC 3999 <b>0022</b> <sup>(2)</sup>	2 P 3998 <b>2025</b> <sup>(3)</sup>	3 P 5400 <b>3025</b>	3999 <b>8225</b>		
	3 P	3615 <b>3024</b>	consult us			4 P 3998 <b>4025</b> <sup>(3)</sup>	3999 <b>8325</b>			
	4 P	3615 <b>6024</b>	consult us			3 P 3998 <b>3025</b> <sup>(3)</sup>	3999 <b>8425</b>			
400 A 2 6	2 P	3615 <b>2039</b>	consult us	Black 3629 <b>7901</b> <sup>(4)(1)</sup>		2 P 3998 <b>2025</b> <sup>(3)</sup>	3 P 5400 <b>3025</b>	3999 <b>8225</b>		
	3 P	3615 <b>3039</b>	consult us			4 P 3998 <b>4025</b> <sup>(3)</sup>	3999 <b>8325</b>			
	4 P	3615 <b>6039</b>	consult us			3 P 3998 <b>3025</b> <sup>(3)</sup>	3999 <b>8425</b>			
400 A 2 6	2 P	3615 <b>2039</b>	consult us	Black 3629 <b>7901</b> <sup>(4)(1)</sup>		3 P 3998 <b>3025</b> <sup>(3)</sup>	3 P 5400 <b>3025</b>	3999 <b>8225</b>		
	3 P	3615 <b>3039</b>	consult us			4 P 3998 <b>4025</b> <sup>(3)</sup>	3999 <b>8325</b>			
	4 P	3615 <b>6039</b>	consult us			3 P 3998 <b>3025</b> <sup>(3)</sup>	3999 <b>8425</b>			
400 A 2 6	2 P	3615 <b>2039</b>	consult us	Black 3629 <b>7901</b> <sup>(4)(1)</sup>		4 P 3998 <b>4025</b> <sup>(3)</sup>	3 P 5400 <b>3040</b>	3999 <b>8240</b>		
	3 P	3615 <b>3039</b>	consult us			4 P 3998 <b>4025</b> <sup>(3)</sup>	3999 <b>8340</b>			
	4 P	3615 <b>6039</b>	consult us			4 P 3998 <b>4025</b> <sup>(3)</sup>	3999 <b>8440</b>			

(1) Standard.

(2) Maximum 2 contacts.

(3) Top/bottom.

(4) Direct right side operation.

(5) Locking using RONIS EL11AP lock (lock not included).

## NFC and DIN - Direct operation - 630 to 1250 A

Rating (A) Fuse size Frame size	No. of poles	Direct side and front operation	Direct front handle	Direct side handle	Auxiliary contacts	Terminal shrouds
630 A 3 17	2 P	3811 <b>2063</b>	Black 3899 <b>6011</b> <sup>(1)(2)</sup>			2 P 3898 <b>2080</b> <sup>(3)</sup>
	3 P	3811 <b>3063</b>				3 P 3898 <b>3080</b> <sup>(3)</sup>
	4 P	3811 <b>6063</b>				4 P 3898 <b>4080</b> <sup>(3)</sup>
800 A 3 17	2 P	3811 <b>2080</b>	Black 3899 <b>6011</b> <sup>(1)(2)</sup>		U-type 1 contact NO 3999 <b>0701</b> <sup>(4)</sup>	3 P 3898 <b>3080</b> <sup>(3)</sup>
	3 P	3811 <b>3080</b>				4 P 3898 <b>4080</b> <sup>(3)</sup>
	4 P	3811 <b>6080</b>				
800 A 4 18	2 P	3811 <b>2081</b>	Black 3899 <b>7011</b> <sup>(1)(2)</sup>	Black 3899 <b>7911</b>	1 contact NC 3999 <b>0702</b> <sup>(4)</sup>	2 P 3898 <b>2120</b> <sup>(3)</sup>
	3 P	3811 <b>3081</b>				3 P 3898 <b>3120</b> <sup>(3)</sup>
	4 P	3811 <b>6081</b>				4 P 3898 <b>4120</b> <sup>(3)</sup>
1250 A 4 18	2 P	3811 <b>2120</b>	Black 3899 <b>7011</b> <sup>(1)(2)</sup>			2 P 3898 <b>2120</b> <sup>(3)</sup>
	3 P	3811 <b>3120</b>				3 P 3898 <b>3120</b> <sup>(3)</sup>
	4 P	3811 <b>6120</b>				4 P 3898 <b>4120</b> <sup>(3)</sup>

(1) Direct front operation.

(2) Standard.

(3) Top/bottom.

(4) Maximum 8 contacts.

# FUSERBLOC

Fuse combination switches

for industrial fuses up to 1250 A

## Accessories

### Direct operation handle

For front operation				
Rating (A)	Frame size	Figure no.	Handle colour	Reference
20 ... 32	0	1	Black	3629 <b>4012</b>
20 ... 32	0	1	Red	3629 <b>4013</b>
32 ... 400	11 ... 16	2	Black	3629 <b>7910</b>
630 ... 800	17	2	Black	3899 <b>6011</b>
800 ... 1250	18	3	Black	3899 <b>7011</b>

For right side operation				
Rating (A)	Frame size	Figure no.	Handle colour	Reference
32 ... 63	1/2	4	Black	3629 <b>7900</b>
100 ... 400	3 ... 6	4	Black	3629 <b>7901</b>
630 ... 1250	17 ... 18	5	Black	1437 <b>7911</b>



### External front operation handle

Padlockable handle in position 0							
Rating (A)	Frame size	Handle type	Handle colour	Operation	External IP <sup>(1)</sup>	Defeatable handle	Reference
CD 25 ... 63	0/11/12	S1	Black	I - 0	IP55	Yes	1411 <b>2111</b>
CD 25 ... 63	0/11/12	S1	Black	I - 0	IP65	Yes	1413 <b>2111</b>
CD 25 ... 63	0/11/12	S1	Red/Yellow	I - 0	IP65	Yes	1414 <b>2111</b>
CD 25 ... 63	0/11/12	S1	Black	I - 0 - Test	IP65	Yes	1413 <b>2115</b>
CD 25 ... 63	0/11/12	S1	Red/Yellow	I - 0 - Test	IP65	Yes	1414 <b>2115</b>
100 ... 400	13 ... 16	S2	Black	I - 0	IP55	Yes	1421 <b>2111</b>
100 ... 400	13 ... 16	S2	Black	I - 0	IP65	Yes	1423 <b>2111</b>
100 ... 400	13 ... 16	S2	Red/Yellow	I - 0	IP65	Yes	1424 <b>2111</b>
100 ... 400	13 ... 16	S2	Black	I - 0 - Test	IP55	Yes	1423 <b>2115</b>
100 ... 400	13 ... 16	S2	Red/Yellow	I - 0 - Test	IP65	Yes	1424 <b>2115</b>
630 ... 800	17	S3	Black	I - 0	IP65	Yes	1433 <b>3111</b>
630 ... 800	17	S3	Red/Yellow	I - 0	IP65	Yes	1434 <b>3111</b>
800 ... 1250	18	S4	Black	I - 0	IP65	Yes	1443 <b>3111</b>
800 ... 1250	18	S4	Red/Yellow	I - 0	IP65	Yes	1444 <b>3111</b>

(1) IP: protection degree according to IEC 60529 standard.

Padlockable handle in position 0 and I						
Rating (A)	Frame size	Handle type	Handle colour	External IP <sup>(1)</sup>	Reference	
CD 25 ... 63	0/11/12	S1	Black	IP65	1413 <b>2311</b>	
100 ... 400	13 ... 16	S2	Black	IP65	1423 <b>2311</b>	

(1) IP: protection degree according to IEC 60529 standard.



### External right side operation handle

Rating (A)	Frame size	Handle type	Handle colour	External IP <sup>(1)</sup>	Reference
CD 25 ... 63	0/11/12	S1	Black	IP55	1415 <b>2111</b>
CD 25 ... 63	0/11/12	S1	Black	IP65	1417 <b>2111</b>
CD 25 ... 63	0/11/12	S1	Red/Yellow	IP65	1418 <b>2111</b>
100 ... 400	13 ... 16	S2	Black	IP55	1425 <b>2111</b>
100 ... 400	13 ... 16	S2	Black	IP65	1427 <b>2111</b>
100 ... 400	13 ... 16	S2	Red/Yellow	IP65	1428 <b>2111</b>
630 ... 1250	17/18	S3	Black	IP65	1437 <b>3111</b>
630 ... 1250	17/18	S3	Red/Yellow	IP65	1438 <b>3111</b>

(1) IP: protection degree according to IEC 60529 standard.



## External front operation handle with metal padlocking lever

Rating (A)	Frame size	Handle type	Handle colour	External IP <sup>(1)</sup>	Defeatable handle	Reference
CD 25 ... 63	0/11/12	S1	Black	IP65	Yes	141D <b>2911</b>
CD 25 ... 63	0/11/12	S1	Red/Yellow	IP65	Yes	141E <b>2911</b>
100 ... 400	13 ... 16	S2	Black	IP65	Yes	142D <b>2911</b>
100 ... 400	13 ... 16	S2	Red/Yellow	IP65	Yes	142E <b>2911</b>
600 ... 800	17	S3	Black	IP65	Yes	143D <b>3911</b>
600 ... 800	17	S3	Red/Yellow	IP65	Yes	143E <b>3911</b>
800 ... 1250	18	S4	Black	IP65	Yes	144D <b>3911</b>
800 ... 1250	18	S4	Red/Yellow	IP65	Yes	144E <b>3911</b>

(1) IP: protection degree according to IEC 60529 standard.



S2 type handle

S3 type handle

## S-type handle adapter

### Use

Enables S-type handles to be fitted in place of existing older style Socomec handles.

Adapter can be utilised as a spacer to increase the distance between the panel door and the handle lever.

### Dimensions

Adds 12 mm to the depth.

Handle colour	To be ordered in multiples of	External IP <sup>(1)</sup>	Reference
Black	1	IP65	1493 <b>0000</b>

(1) IP: protection degree according to IEC 60529 standard.



access\_187\_a\_1\_cat

## Alternative S-type handle cover colours

### Use

For single lever handles S1, S2, S3 types and double lever handle, S4 type. Other colours: please consult us.

Handle colour	To be ordered in multiples of	Handle	Reference
Light grey	50	Type S1, S2	1401 <b>0001</b>
Dark grey	50	Type S1, S2	1401 <b>0011</b>
Light grey	50	S4 type	1401 <b>0031</b>
Dark grey	50	S4 type	1401 <b>0041</b>



access\_198\_a\_1\_cat

## Flat mounting kit

### Use

The flat mounting providing compact solution ideally suited to withdrawable applications.

Kit to be used with a handle for flat mounting.

Rating (A)	Frame size	Type	Reference
CD 25 ... CD 32	0	Kit + Shaft 200 mm	1429 <b>7709</b>
50 ... 400	11 ... 16	Kit + Shaft 200 mm	1429 <b>7710</b>



fuser\_535\_a\_1\_cat

## Handle for flat mounting kit

Padlockable handle in position 0						
Rating (A)	Frame size	Handle type	Handle colour	External IP <sup>(1)</sup>	Reference	
CD 25 ... 63	0/11/12	S1	Black	IP55	1411 <b>2111</b> <sup>(2)</sup>	
CD 25 ... 63	0/11/12	S1	Red/Yellow	IP65	1414 <b>2111</b> <sup>(2)</sup>	
100 ... 400	13 ... 16	S2	Black	IP55	1421 <b>2111</b> <sup>(2)</sup>	
100 ... 400	13 ... 16	S2	Red/Yellow	IP65	1424 <b>2111</b> <sup>(2)</sup>	

(1) IP: protection degree according to IEC 60529 standard.

(2) Defeatable handle in position I.



S2 type handle.

fuser\_536\_a\_1\_cat

# FUSERBLOC

## Fuse combination switches

for industrial fuses up to 1250 A

### Accessories (continued)

#### Front operation shaft support accessory

##### Use

This support maintains shaft position for extension shafts greater than 320 mm in length.



fuser\_698\_a\_2\_cat

Rating (A)	Frame size	Reference
50 ... 400	11 ... 16	3899 0400

#### Shaft guide for external operation

##### Use

To guide the shaft extension into the external handle.

This accessory enables the handle to engage the extension shaft with a misalignment of up to 15 mm.

Required for a shaft lengths over 320 mm.



access\_260\_a\_2\_cat

Description	Reference
Shaft guide	1429 0000

#### Shaft for external front operation handle

##### Use

Standard lengths:

- 200 mm
- 320 mm
- 400 mm
- 500 mm.

Other lengths: consult us.

Rating (A)	Frame size	Shaft length (mm)	Reference
CD 20 ... CD 32	0	200	1401 0520
CD 20 ... CD 32	0	320	1401 0532
CD 20 ... CD 32	0	400	1401 0540 <sup>(1)</sup>
32 ... 400	11 ... 16	200	1400 1020
32 ... 400	11 ... 16	320	1400 1032
32 ... 400	11 ... 16	500	1400 1050 <sup>(2)</sup>
630 ... 800	17	200	1400 1220
630 ... 1250	17/18	320	1400 1232
630 ... 1250	17/18	500	1400 1250 <sup>(1)</sup>

<sup>(1)</sup> Use the shaft guide accessory for external operation.

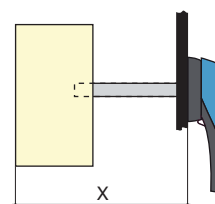
<sup>(2)</sup> Use the front operation shaft support accessory.

access\_145\_b\_1\_cat



access\_369\_a\_1\_cat

access\_202\_a\_1\_x\_cat



#### Dimension X (mm) for FUSERBLOC BS88

Shaft length (mm)	CD 20 ... CD 32	32	63 ... 160	CD160 ... CD200	160 ... 200	250 ... 315	630 ... 800	1250
	A1 0	A1 11	A2-A3/A4 12/13/14	A3-A4 13 A	B1-B2 14/15	B1-B2-B3 15/16	C1-C2-C3 17	D1 18
200	102 ... 245	100 ... 230	125 ... 230	150 ... 230	135 ... 230	160 ... 230	270 ... 304	
320	102 ... 365	100 ... 350	125 ... 350	150 ... 350	135 ... 350	160 ... 350	270 ... 424	304 ... 424
400	102 ... 445							
500		100 ... 530	125 ... 530	150 ... 530	135 ... 530	160 ... 530	270 ... 600	304 ... 600

#### Dimension X (mm) for FUSERBLOC NFC and DIN

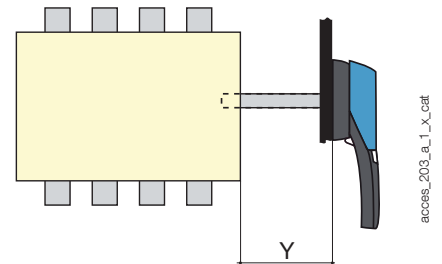
Shaft length (mm)	CD 25 ... CD 32	50	63	100 ... 160	160	250 ... 400	630 ... 800	800 ... 1250
	10x38/14x51 0	14x51 11	00C 12	22x58/00 13	0 14	1/2 15/16	3 17	4 18
200	102 ... 245	100 ... 230	125 ... 230	135 ... 230	145 ... 230	160 ... 230	270 ... 304	
320	102 ... 365	100 ... 350	125 ... 350	135 ... 350	145 ... 350	160 ... 350	270 ... 424	304 ... 424
400	102 ... 445	100 ... 430	125 ... 430	135 ... 430	145 ... 430	160 ... 430	270 ... 504	304 ... 504
500		100 ... 530	125 ... 530	135 ... 530	145 ... 530	160 ... 530	270 ... 604	304 ... 604

## Shaft extensions for external side operation

### Use

Standard lengths, 200 mm.

Rating (A)	Frame size	Handle type	Dimension Y (mm)	Shaft length (mm)	Reference
CD 25 ... CD 32	0	S	36 ... 159	200	1401 <b>0520</b>
50 ... 400	11 ... 16	S	36 ... 172	200	1400 <b>1020</b>
630 ... 1250	17/18	S	15 ... 150	200	1400 <b>1220</b>



access\_203\_a\_1\_X\_cat

## Integrated solid neutral link

### Use

Fixing the solid neutral onto the mechanism produces a device with a solid neutral of the same size as a standard three-pole device (+ 6 mm).

BS88 for external front operation			
Rating (A)	Switch body size	Bar rating (A)	Reference
100	13	125	3829 <b>9310</b>
CD 160 ... CD 200	13a	200	3829 <b>9320</b>
160	14	200	3829 <b>9320</b>
200 ... 250	15	250	3829 <b>9325</b>
315 ... 400	16	400	3829 <b>9339</b>
630 ... 800	17	800	3829 <b>9308</b>
1250	18	1250	3829 <b>9312</b>

NFC and DIN For external front operation			
Rating (A)	Frame size	Bar rating (A)	Reference
100 ... 125	13	125	3829 <b>9310</b>
160	13	160	3829 <b>9320</b>
160	14	200	3829 <b>9320</b>
250	15	250	3829 <b>9325</b>
400	16	400	3829 <b>9339</b>
630 ... 800	17	800	3829 <b>9308</b>
800 ... 1250	18	1250	3829 <b>9312</b>



access\_130\_a\_1\_cat

access\_131\_a\_1\_cat

## Solid neutral module

BS88 for external front operation				
Rating (A)	Switch body size	I <sub>max</sub> (A)	Distance (mm)	Reference
32	11	32	27	3629 <b>9227</b>
63	12	63	32	3629 <b>9232</b>
100	13	100	36	3629 <b>9236</b>
CD 160 ... CD 200	13 a	200	36	3629 <b>9237</b>
160	14	160	50	3629 <b>9250</b>
200 ... 250	15	250	60	3629 <b>9260</b>
315 ... 400	16	400	66	3629 <b>9266</b>
630 ... 800	17	800	94	3629 <b>9294</b>
1250	18	1250	120	3629 <b>9212</b>

NFC and DIN For external front operation				
Rating (A)	Frame size	I <sub>max</sub> (A)	Distance (mm)	Reference
50	1/11	50	27	3629 <b>9227</b>
63	2/12	63	32	3629 <b>9232</b>
100 ... 160	3/13	160	36	3629 <b>9236</b>
160	4/14	160	50	3629 <b>9250</b>
250	5/15	250	60	3629 <b>9260</b>
400	6/16	400	60	3629 <b>9266</b>
630 ... 800	17	800	94	3629 <b>9294</b>
800 ... 1250	18	1250	120	3629 <b>9212</b>

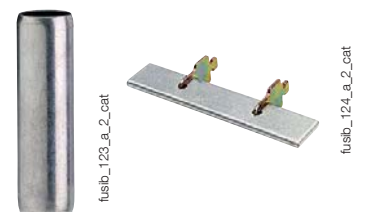


access\_199\_a\_2\_cat

## Solid links

BS88 switches				
Rating (A)	Frame size	Fuse size	I <sub>max</sub> (A)	Reference
32	11	A1	32	3629 <b>9003</b>
63	12	A2-A3	63	3629 <b>9006</b>
100	13	A4	160	3629 <b>9010</b>
CD 160	13a	A3-A4	160	3629 <b>9010</b>
160	14	A4	160	3629 <b>9010</b>
160	14	B1-B2	200	3629 <b>9016</b>
CD 200	13a	A3-A4	160	3629 <b>9010</b>
200	15	B1-B2	200	3629 <b>9016</b>
250	15	B1-B2-B3	315	3629 <b>9025</b>
315	16	B1-B2-B3	315	3629 <b>9025</b>
400	16	B1-B2-B3-B4	400	3629 <b>9040</b>
630 ... 800	17	C1-C3	800	3629 <b>9063</b>
1250	18	D1	1250	3629 <b>9120</b>

NFC and DIN switches				
Rating (A)	Frame size	Fuse size	I <sub>max</sub> (A)	Reference
50	1/11	14 x 51	50	6029 <b>0000</b>
63	2/12	00C	160	6420 <b>0000</b>
100 ... 125	3/13	22 x 58	125	6039 <b>0000</b>
125 ... 160	3/13	00	160	6420 <b>0000</b>
160	4/14	0	160	6421 <b>0000</b>
250	5/15	1	250	6421 <b>0001</b>
400	6/16	2	400	6421 <b>0002</b>
630 ... 800	17	3	630	6421 <b>0003</b>
800 ... 1250	18	4	1250	6441 <b>0005</b>



fusb\_123\_a\_2\_cat

fusb\_124\_a\_2\_cat

# FUSERBLOC

## Fuse combination switches

for industrial fuses up to 1250 A

### Accessories (continued)

#### A-type auxiliary contacts

##### Use

Pre-break and position 0 and I signalling by 1 or 2 NO /NC auxiliary contacts.

For low level use, specific auxiliary contacts: please consult us.

##### Connection to the control circuit

By 6.35 mm fast-on terminal.

##### Electrical characteristics

30 000 operations.

##### References

NO / NC auxiliary contacts			
Rating (A)	Frame size	Contact(s)	Reference
CD 20 ...CD 32	0	1	3999 0001
CD 20 ...CD 32	0	2	3999 0002
32 ... 400 <sup>(1)</sup>	1 ... 6	1	3999 0021 <sup>(2)</sup>
32 ... 400 <sup>(1)</sup>	1 ... 6	2	3999 0022 <sup>(2)</sup>

(1) Side direct operation switch only.

(2) A type auxiliary contacts cannot be mounted in conjunction with integrated solid neutral.

##### Characteristics

Rating (A)	Current nominal (A)	Operating current I <sub>e</sub> (A)			
		250 VAC AC-13	400 VAC AC-13	24 VDC DC-13	48 VDC DC-13
CD 20 ... 400	16	4	2	12	2



access\_046\_a\_1\_cat

access\_047\_a\_2\_cat

#### U-type auxiliary contacts<sup>(1)</sup>

##### Use

Compact universal type auxiliary contacts which can be configured for operation in either, or both, ON and TEST positions for CD 20 to 1250 A FUSERBLOC. Each slot can accommodate up to two interlocked A/Cs.

##### Connection to the control circuit

By terminals with max. section 2 x 2.5 mm<sup>2</sup>.

For FUSERBLOC CD 20 to 400 A: Pre-break and signalling of positions 0, I and TEST.

For FUSERBLOC ≥ 630 A: Pre-break and position 0 and I signalling.

##### References

NC auxiliary contacts			
Rating (A)	Frame size	Contact(s)	Reference
CD 20 ... 1250	0 ... 18	1	3999 0702

NO auxiliary contacts			
Rating (A)	Frame size	Contact(s)	Reference
CD 20 ... 1250	0 ... 18	1	3999 0701

Contact holder for auxiliary contacts			
Rating (A)	Frame size	Contact(s)	Reference <sup>(1)</sup>
CD 20 ... 160	0 ... 14	4 (2 x 2 max)	included
250 ... 400	15/16	8 (4 x 2 max)	included
630 ... 1250	17/18	8 (4 x 2 max)	included

(1) Cannot be mounted in direct operation.

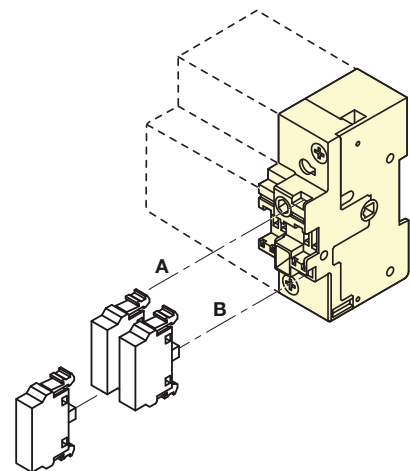
Contact holder for additional auxiliary contacts			
Rating (A)	Frame size	Contact(s)	Reference
CD 20 ...CD 32	0	4 (2 x 2 max)	3999 0710
32 ... 400	11 ... 16	4 (2 x 2 max)	3999 0600

##### Characteristics

Rating (A)	Operating current I <sub>e</sub> (A)			
	250 VAC AC-15	400 VAC AC-15	24 VDC DC-13	48 VDC DC-13
CD 20 ... 1250	3	1.8	2.8	1.4



access\_066\_a\_1\_cat



access\_043\_a\_1\_LX\_cat

(1) U-type auxiliary contacts cannot be mounted with an integrated solid neutral.

## S and ST-type auxiliary contacts

### Use

For FUSERBLOCs 32 to 1250 A, position 0 and I signalling by 1 to 4 NO + NC auxiliary contacts.

### Electrical principle

The NO + NC S-type auxiliary contacts can be configured as 2 NC or 2 NO.

### Connection

By terminals with max. cross-section 10 mm<sup>2</sup>.

### Mechanical characteristics

30 000 operations.



access\_051\_a\_2\_cat



access\_063\_a\_1\_cat

### References

#### S-type auxiliary contacts 0-I for external front and right-side operation (Standard operation)

Rating (A)	Frame size	Contact type	Reference
32 ... 1250	11 ... 18	NC+NO	3999 0041

#### ST-type auxiliary contacts I-0-TEST for external front and right-side operation (TEST operation)

Rating (A)	Frame size	Contact type	Description	Reference
32 ... 400	11 ... 16	NC+NO	TEST + ON	3999 0141
32 ... 400	11 ... 16	2 O	TEST + ON	3999 0241

### Characteristics

#### Switch body for signalling auxiliary contact

Contact type	Operation type	Reference
S-type	Standard	3999 0003
ST-type	TEST	3999 0103

Rating (A)	Current nominal (A)	Operating current I <sub>o</sub> (A)	
		250 VAC AC-13	400 VAC AC-13
32 ... 1250	20	10	8

### Important:

- For the 400 A rating, an adaptation kit reference 3999 0000 must be ordered in addition to the auxiliary contact kit.

## Fuse cover interlocking

### Use

On NFC and DIN, side direct operation, locking of the opening of the fuse protection cover when FUSERBLOC is engaged (position I).

Rating (A)	Frame size	Fuse size	No. of poles	Reference
CD 20 ... 50	0 ... 11	10 x 38 / 14 x 51	2 / 3 / 4	included
63	12	00C	2 / 3 / 4	3999 8906
100 ... 125	13	22 x 58	2 / 3 / 4	3999 8912
125 ... 160	13	00	2 / 3 / 4	3999 8912
160	14	0	2 P	3999 8216
160	14	0	3 P	3999 8316
160	14	0	4 P	3999 8416
250	15	1	2 P	3999 8225
250	15	1	3 P	3999 8325
250	15	1	4 P	3999 8425
400	16	2	2 P	3999 8240
400	16	2	3 P	3999 8340
400	16	2	4 P	3999 8440

## Terminal shrouds

### Use

Top or bottom IP20 protection (on the front) against direct contact with terminals or connection parts.

Two sets required to fully shroud both incoming and outgoing terminals.

Rating (A)	Frame size	Position	No. of poles	Reference
CD 20 ... 63	0 ... 12	top / bottom	2 / 3 / 4 P	integrated
100 ... CD 200	13/14	top / bottom	2 P	3998 2016
100 ... CD 200	13/14	top / bottom	3 P	3998 3016
100 ... CD 200	13/14	top / bottom	4 P	3998 4016
200 ... 400	15/16	top / bottom	2 P	3998 2025
200 ... 400	15/16	top / bottom	3 P	3998 3025
200 ... 400	15/16	top / bottom	4 P	3998 4025
630 ... 800	17	top / bottom	2 P	3898 2080
630 ... 800	17	top / bottom	3 P	3898 3080
630 ... 800	17	top / bottom	4 P	3898 4080
800 ... 1250	18	top / bottom	2 P	3898 2120
800 ... 1250	18	top / bottom	3 P	3898 3120
800 ... 1250	18	top / bottom	4 P	3898 4120



fuser\_314\_a\_1\_cat



# FUSERBLOC

## Fuse combination switches

for industrial fuses up to 1250 A

### Accessories (continued)

#### NFC and DIN fuse blown indication

##### Use

For fuse cartridge with striker  
(size 14 x 51 22 x 58; 0; 1; 2; 3 and 4).

##### Electrical principle

A NO/NC auxiliary contact detects that the fuse has blown.

##### Connection to the control circuit

6.35 mm fast-on terminal.

##### Mechanical characteristics

30 000 operations.

##### References

###### NO/NC type auxiliary contacts for 2 pole

Rating (A)	Frame size	Fuses	Contact(s)	Reference
50	11	14 x 51	1 <sup>st</sup>	3994 0405
100 ... 125	13	22 x 58	1 <sup>st</sup>	3994 0210
160	14	0	1 <sup>st</sup>	3994 0216
250	15/16	1-2	1 <sup>st</sup>	3994 0225
400	16	2	1 <sup>st</sup>	3894 0440
630	17	3	1 <sup>st</sup>	3894 1206
800 ... 1250	18	4	1 <sup>st</sup>	3894 1212

###### NO/NC type auxiliary contacts for 3 pole

Rating (A)	Frame size	Fuses	Contact(s)	Reference
CD 32	0	14 x 51	1 <sup>st</sup>	3994 0303
50	11	14 x 51	1 <sup>st</sup>	3994 0405
100 ... 125	13	22 x 58	1 <sup>st</sup>	3994 0310
160	14	0	1 <sup>st</sup>	3994 0316
250	15/16	1-2	1 <sup>st</sup>	3994 0325
400	16	2	1 <sup>st</sup>	3894 0440
630	17	3	1 <sup>st</sup>	3894 1306
800 ... 1250	18	4	1 <sup>st</sup>	3894 1312
50 ... 250	11	-	2 <sup>nd</sup>	3994 1901
400	16	2	2 <sup>nd</sup>	3994 1902
630 ... 1250	16	-	2	3994 1901

###### NO/NC type auxiliary contacts for 4 pole or 3 pole + neutral

Rating (A)	Frame size	Fuses	Contact(s)	Reference
50	11	14 x 51	1 <sup>st</sup>	3994 0405
100 ... 125	13	22 x 58	1 <sup>st</sup>	3994 0410
160	14	0	1 <sup>st</sup>	3994 0416
250	15/16	1-2	1 <sup>st</sup>	3994 0425
400	16	2	1 <sup>st</sup>	3894 0440
630	17	3	1 <sup>st</sup>	3894 1406
800 ... 1250	18	4	1 <sup>st</sup>	3894 1412
50 ... 250	11	-	2 <sup>nd</sup>	3994 1901
400	16	2	2 <sup>nd</sup>	3994 1902
630 ... 1250	16	-	2	3994 1901

##### Characteristics

Rating (A)	Current nominal (A)	Operating current I <sub>o</sub> (A)			
		250 VAC AC-13	400 VAC AC-13	24 VDC DC-13	48 VDC DC-13
CD 32 ... 1250	16	4	3	12	2

#### Electronic fuse blown indication (FMD)

##### Use

Provides fuse blown indication with fuse links without fuse blown indication strikers. Suitable for use with BS88, DIN and UL type fuses.

##### Principle

The Fuse Melting Device (FMD) detects the operation of a fuse and provides a signal via: a relay and 1 LED (FMD10) or a bi-stable relay and 3 LEDs (FMD30).

The FMD can be DIN rail or back plate mounted close to the Fuserbloc, directly mounted on the FUSERBLOC, or it can be door mounted to provide information directly on the front of a panel.

##### References

###### For FUSERBLOC 63 to 1250A - size 000 to 4

Nb of LEDs	Operating voltage	Reference
1 (FMD10)	120 - 260 VDC	3899 1120
1 (FMD10)	380 - 690 VDC	3899 1380
3 (FMD30)	120 - 260 VDC	3899 3120
3 (FMD30)	380 - 690 VDC	3899 3380

##### Accessories

Accessories	Reference
Kit for connection accessories	Standard 3819 9120
Kit for connection accessories	Door mounted 3829 9120

##### Relay characteristics

Rating (A)	Relay operating current I <sub>c</sub> (A)	
	AC-15	DC-13
63 ... 1250	2.5 A	0.2



DDMM for cylindrical fuses



DDMM for NH fuses



1 LED version (FMD10)

3 LED version (FMD30)

## Cage terminals

### Use

Connection of bare copper cables onto the terminals (without lugs).

### References

Rating max (A)	Frame size	No. of poles	Reference
CD 20 ... 63	0 ... 12	2 / 3 / 4 P	integrated
100 ... 160	13/14	3 P	5400 <b>3016</b>
100 ... 160	13/14	4 P	5400 <b>4016</b>
250	15	3 P	5400 <b>3025</b>
250	15	4 P	5400 <b>4025</b>
400	16	3 P	5400 <b>3040</b>
400	16	4 P	5400 <b>4040</b>



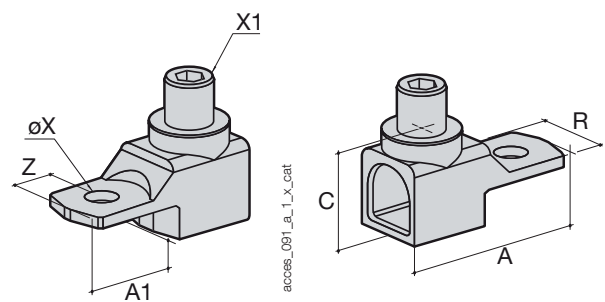
access\_053\_a\_1\_cat

### Connections

Rating (A)	Flexible cable cross-section (mm <sup>2</sup> )	Rigid cable cross-section (mm <sup>2</sup> )	Flexible bar width (mm)	Stripped over (mm)
100 ... 160	16 ... 95	16 ... 95	13	22
250	16 ... 185	16 ... 185	18	27
400	50 ... 240	50 ... 300	20	34

### Dimensions

Rating (A)	A	A1	C	R	ØX	X1	Z
100 ... 160	47.5	22.5	25	20	8.5	M12	10
250	62	31.5	31.5	25	10.5	M16	14
400	71.5	32	38	32	10.5	M20	15



access\_091\_a\_1\_x\_cat

access\_092\_a\_1\_x\_cat

## Handle key interlocking accessories

### Use

Locking in position 0 of the direct, front or right side operation:

- using a padlock (not supplied) in direct right side operation: integrated into the handle,

- using a padlock (not supplied): right-side or front operation switch from 32 to 1250 A, factory integrated

- using a padlock (not supplied) in external operation.

### Locking using RONIS EL 11 AP lock (not supplied)

Rating (A)	Frame size	Operation	Figure n°	Reference
CD 20 ... 1250	0 ... 18	external front	2	1499 <b>7701</b>
32 ... 63	1/2	direct	1	3629 <b>7903</b>
100 ... 400	3 ... 6	direct	1	3629 <b>7913</b>
630 ... 1250	17 ... 18	direct		3829 <b>7923</b>

### Locking using K-type CASTELL lock (not supplied)

Rating (A)	Frame size	Operation	Figure n°	Reference
CD 20 ... 1250	0 ... 18	external front	3	1499 <b>7702</b>

### Locking using FS-type CASTELL lock (not supplied)

Rating (A)	Frame size	Operation	Figure n°	Reference
CD 20 ... 1250	0 ... 18	external front	3	1499 <b>7703</b>

### Locking using XOP (not supplied)

Rating (A)	Frame size	Operation	Reference
CD 20 ... 1250	0 18	external front	1499 <b>7702</b>

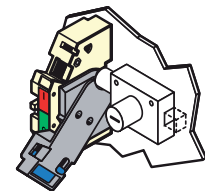


Fig. 1

access\_042\_a\_1\_x\_cat

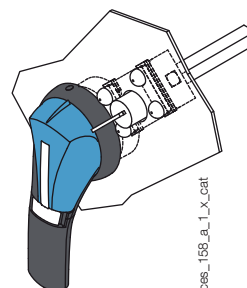


Fig. 2

access\_168\_a\_1\_x\_cat

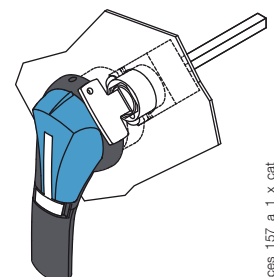


Fig. 3

access\_157\_a\_1\_x\_cat

## Label holder

### Use

Recognisable self-adhesive label allowing identification of the devices.

Dimensions W x H (mm)	To be ordered in multiples of	Reference
18 x 13	50	7769 <b>9999</b>



access\_044\_a\_1\_cat

# FUSERBLOC

## Fuse combination switches

for industrial fuses up to 1250 A

### Characteristics according to IEC 60947-3

#### 20 to 100 A

Thermal current $I_{th}$ (40°C)	20 A	25 A	CD 32 A	CD 32 A	32 A	50 A	63 A	100 A
BS88/DIN fuse size	A1/-	-/10 x 38	-/10 x 38	A1/14 x 51	A1/-	-/14 x 51	A2-A3/00C	A4*/22 x 58
Frame size for direct operation	0	0	0	0	1	1	2	3
Switch body size for front and side operation	0	0	0	0	11	11	12	13
Rated insulation voltage $U_i$ (V)	800	800	800	800	750	750	750	750
Rated impulse withstand voltage $U_{imp}$ (kV)	8	8	8	8	8	8	8	8

#### Rated operational currents $I_e$ (A)

Rated voltage	Utilisation category	A/B <sup>(1)</sup>	A/B <sup>(1)</sup>	A/B <sup>(1)</sup>	A/B <sup>(1)</sup>	A/B <sup>(1)</sup>	A/B <sup>(1)</sup>	A/B <sup>(1)</sup>	A/B <sup>(1)</sup>
400 VAC	AC-22 A / AC-22 B	20/20	25/25	32/32	32/32	32/32	50/50	63/63	100/100
400 VAC	AC-23 A / AC-23 B	20/20	25/25	32/32	32/32	32/32	50/50	63/63	100/100
690 VAC	AC-22 A / AC-22 B	20/20	25/25	32/32	32/32	32/32	50/50	63/63	100 <sup>(4)</sup> /100 <sup>(4)</sup>
690 VAC	AC-23 A / AC-23 B	20/20	25/25	32/32	32/32	32/32	50/50	63/63	100 <sup>(4)</sup> /100 <sup>(4)</sup>
220 VDC	DC-20 A / DC-20 B			-/32		32/32	50/50	63/63	100/100
220 VDC	DC-21 A / DC-21 B		-/25 <sup>(2)</sup>			32/32	40/40	40/40	100/100
440 VDC	DC-20 A / DC-20 B					32 <sup>(3)</sup> /32 <sup>(3)</sup>	50 <sup>(3)</sup> /50 <sup>(3)</sup>	63 <sup>(3)</sup> /63 <sup>(3)</sup>	100 <sup>(3)</sup> /100 <sup>(3)</sup>
440 VDC	DC-21 A / DC-21 B					32 <sup>(3)</sup> /32 <sup>(3)</sup>	40 <sup>(3)</sup> /40 <sup>(3)</sup>	40 <sup>(3)</sup> /40 <sup>(3)</sup>	100 <sup>(3)</sup> /100 <sup>(3)</sup>

#### Operational power in AC-23 (kW)

At 400 VAC without pre-break in AC <sup>(1)(5)</sup>	9/9	11/11	15/15	15/15	15/15	25/25	30/30	51/51
At 690 VAC without pre-break in AC <sup>(1)(5)</sup>	15/15	22/22	25/25	25/25	25/25	45/45	55/55	90/90

#### Reactive power (kvar)

At 400 VAC <sup>(5)</sup>	8	11	15	15	15	23	28	45
---------------------------	---	----	----	----	----	----	----	----

#### Fuse protected short-circuit withstand BS88/DIN (kA rms prospective)

Prospective short-circuit (kA rms) <sup>(6)</sup>	80/-	-/100	-/100	80/100	80/100	-/100	80/100	80/100
Associated fuse rating (A) <sup>(6)</sup>	20/-	-/25	-/32	32/32	32/32	-/50	63/63	100/100

#### Short-circuit capacity

Rated peak withstand current (kA peak) <sup>(6)</sup>	5.5	5.5	5.5	5.5	9	7.6	10.6	20
---	-----	-----	-----	-----	---	-----	------	----

#### Fuse selection (maximum fuse size)<sup>(7)</sup>

SOCOMECS BS88	6A10 0020	6012 0025	6012 0032	6A10 0032	6A10 0032		6A30 0063	6A40 0100
SOCOMECS BS88	6A1M 0032	6013 0025	6013 0032	6A1M 0063	6A1M 0032		6A3M 0080	6A4M 0125
SOCOMECS DIN						6022 0050	6600 0063	6032 0100
SOCOMECS DIN						6023 0050	6601 0063	6033 0100
BUSSMANN	NITD 20			NITD 32	NITD 32		BAO 63	CEO 100
BUSSMANN	NITD 20M32			NITD 32M63	NITD 32M63		BAO 63M80	CEO 100M125
LAWSON	NIT 20			NIT 32	NIT 32		TIS 63	TCP 100
LAWSON	NIT 20M32				NIT 20M32		TIS 63M80	CTFP 100M125
GE	NIT 20			NET 32	NET 32		TIS 63	TCP 100
GE	NIT 20M32			NET 32M63	NET 32M63		TIS 63M80	OCP 100M125

#### Connection

Minimum Cu cable cross-section (mm <sup>2</sup> )	2.5	2.5	2.5	2.5	6	6	10	25
Maximum Cu cable cross-section (mm <sup>2</sup> )	16	16	16	16	25	25	25	95
Maximum busbar width (mm)								20
Min. / Max. tightening torque min (Nm)	2/-	2/-	2/3	2	2.5/3	2.5/3	2.5/3	8.3/13

#### Mechanical characteristics

Durability (number of operating cycles)	20 000	20 000	20 000	20 000	10 000	10 000	10 000	10 000
Weight of 3 P switch (kg)	0.48	0.48	0.48	0.50	0.80	0.80	1	1.5
Weight of 4 P switch (kg)	0.50	0.50	0.50	0.52	1	1	1.3	2
Weight of 1 P extra (kg)					0.2	0.2	0.3	0.5
Frame pitch (mm)					32	27	32	36

(1) Category with index A = frequent operation - Category with index B = infrequent operation.

(2) With terminal shrouds or terminal screen.

(3) 4-pole device with 2 pole in series by polarity.

(4) Poles cannot be juxtaposed.

(5) The power value is given for information only, the current values vary from one manufacturer to another.

(6) For a rated operational voltage  $U_o = 400$  VAC.

(7) Fuse 800 A, 690 VAC does not exist, tests conducted with bars.

\* For fuse size A4: max diameter 31 mm.

\*\* Please ensure that fuse let through current does not exceed short-circuit capacity of the switch (kA peak).

## 125 to 200 A

Thermal current $I_{th}$ (40°C)	125 A	125 A	160 A	CD 160 A	160 A	160 A	CD 200 A	200 A
NFC/DIN fuse size	-/22 x 58	-/00	-/00	A3-A4*/-	A4/0	B1-B2/-	A3-A4*/-	B1-B2/-
Frame size for direct operation	3	3	3		4	4		5
Switch body size for front and side operation	13	13	13	13 A	14	14	13 A	15
Rated insulation voltage $U_i$ (V)	750	750	750	750	750	750	750	750
Rated impulse withstand voltage $U_{imp}$ (kV)	8	8	8	8	8	8	8	8

### Rated operational currents $I_e$ (A)

Rated voltage	Utilisation category	A/B <sup>(1)</sup>	A/B <sup>(1)</sup>	A/B <sup>(1)</sup>	A/B <sup>(1)</sup>	A/B <sup>(1)</sup>	A/B <sup>(1)</sup>	A/B <sup>(1)</sup>	A/B <sup>(1)</sup>
400 VAC	AC-22 A / AC-22 B	125/125	125/125	160/160	160/160	160/160	160/160	200/200	200/200
400 VAC	AC-23 A / AC-23 B	125/125	125/125	160/160	160/160	160/160	160/160	200/200	200/200
690 VAC	AC-22 A / AC-22 B	125 <sup>(2)/125<sup>(2)</sup></sup>	125 <sup>(2)/125<sup>(2)</sup></sup>	160 <sup>(2)/160<sup>(2)</sup></sup>	160 <sup>(2)/160<sup>(2)</sup></sup>	160 <sup>(2)/160<sup>(2)</sup></sup>	160 <sup>(2)/160<sup>(2)</sup></sup>	160 <sup>(2)/160<sup>(2)</sup></sup>	200 <sup>(2)/200<sup>(2)</sup></sup>
690 VAC	AC-23 A / AC-23 B	100 <sup>(2)/100<sup>(2)</sup></sup>	100 <sup>(2)/100<sup>(2)</sup></sup>	125 <sup>(2)/125<sup>(2)</sup></sup>	125 <sup>(2)/125<sup>(2)</sup></sup>	125 <sup>(2)/125<sup>(2)</sup></sup>	125 <sup>(2)/125<sup>(2)</sup></sup>	125 <sup>(2)/125<sup>(2)</sup></sup>	200 <sup>(2)/160<sup>(2)</sup></sup>
220 VDC	DC-20 A / DC-20 B	125/125	125/125	160/160	160/160	160/160	160/160	160/160	200/200
220 VDC	DC-21 A / DC-21 B	100/100	100/100	125/125	125/125	125/125	125/125	125/125	200/200
440 VDC	DC-22 A / DC-22 B	125 <sup>(3)/125<sup>(3)</sup></sup>	125 <sup>(3)/125<sup>(3)</sup></sup>	160 <sup>(3)/160<sup>(3)</sup></sup>	160 <sup>(3)/160<sup>(3)</sup></sup>	160 <sup>(3)/160<sup>(3)</sup></sup>	160 <sup>(3)/160<sup>(3)</sup></sup>	160 <sup>(3)/160<sup>(3)</sup></sup>	200 <sup>(3)/200<sup>(3)</sup></sup>
440 VDC	DC-23 A / DC-23 B	100 <sup>(3)/100<sup>(3)</sup></sup>	100 <sup>(3)/100<sup>(3)</sup></sup>	125 <sup>(3)/125<sup>(3)</sup></sup>	160 <sup>(3)/160<sup>(3)</sup></sup>	125 <sup>(3)/125<sup>(3)</sup></sup>	125 <sup>(3)/125<sup>(3)</sup></sup>	125 <sup>(3)/125<sup>(3)</sup></sup>	200 <sup>(3)/200<sup>(3)</sup></sup>

### Operational power in AC-23 (kW)

At 400 VAC without pre-break in AC <sup>(1)(5)</sup>	63/63	63/63	80/80	80/80	80/80	80/80	80/80	100/100
At 690 VAC without pre-break in AC <sup>(1)(5)</sup>	90/90	90/90	110/110	110/110	110/110	110/110	110/110	150/185

### Reactive power (kvar)

At 400 VAC <sup>(5)</sup>	55	55	75	70	75	75	90	90
---------------------------	----	----	----	----	----	----	----	----

### Fuse protected short-circuit withstand (kA rms prospective)

Prospective short-circuit (kA rms) <sup>(6)</sup>	-/100	-/100	-/100 (50)	50/-	80/100	80/100	50/-	80/-
Associated fuse rating (A) <sup>(6)</sup>	-/125	-/125	-/125 (160)	160/-	160/160	160/160	200/-	200/-

### Short-circuit capacity

Rated peak withstand current (kA peak) <sup>(6)</sup>	20	20	20	20	22.7	22.7	20	32.5
---	----	----	----	----	------	------	----	------

### Fuse selection (maximum fuse size)<sup>(7)</sup>

SOCOMECS BS88				6A40 0160	6A40 0160	6B20 0160	6A40 0200	6B20 0200
SOCOMECS BS88				6A4M 0160	6A4M 0160	6B1M 0200	6A4M 0315	6B2M 0315
SOCOMECS DIN	6032 0125	6692 0125	6692 0160			6702 0160		
SOCOMECS DIN	6033 0125	6693 0125	6693 0160			6703 0160		
BUSSMANN				DEO 160	DEO 160	DD 160	DEO 200	DD 200
BUSSMANN				CEO 100M160	DEO 100M200	CD 100M200	DEO 200M315	DD 200M315
LAWSON				CTFP 160	TFP 160	TF 160	TF 200	TF 200
LAWSON				CTCP 100M160	TCP 100M200	TCP 100M200	TC 200M315	TC 200M315
GE				TCP 100	TFP 160	TF 160	TF 200	TF 200
GE				OCP 100M160	TCP 100M201	TC 100M200	TF 200M315	TF 200M315

### Connection

Minimum Cu cable cross-section (mm <sup>2</sup> )	35	35	35	35	50	50	35	95
Maximum Cu cable cross-section (mm <sup>2</sup> )	95	95	95	95	95	95	95	240
Maximum busbar width (mm)	20	20	20	20	20	20	20	32
Tightening torque min (Nm)	8.3/13	8.3/13	8.3/13	8.3/13	8.3/13	8.3/13	8.3/13	20/26

### Mechanical characteristics

Durability (number of operating cycles)	10 000	10 000	10 000	10 000	10 000	10 000	10 000	10 000
Weight of 3 P switch (kg)	1.5	1.5	1.8	1.8	1.8	1.8	1.8	3.2
Weight of 4 P switch (kg)	2	2	2.3	2.3	2.3	2.3	2.3	4.5
Weight of 1 P extra (kg)	0.5	0.5	0.5	0.5	0.5	0.5	0.5	1.3
Frame pitch (mm)	36	36	36	36	50	50	36	60

(1) Category with index A = frequent operation - Category with index B = infrequent operation.

(2) With terminal shrouds or phase barrier.

(3) Poles cannot be juxtaposed.

(4) 4-pole device with 2 poles in series per polarity.

(5) The power value is given for information only, the current values vary from one manufacturer to another.

(6) For a rated operational voltage  $U_e = 400$  VAC.

(7) Fuse 800 A, 690 Vac does not exist, tests conducted with bars.

# FUSERBLOC

## Fuse combination switches

for industrial fuses up to 1250 A

### Characteristics according to IEC 60947-3 (continued)

#### 250 to 1250 A

Thermal current $I_{th}$ (40°C)	250 A	315 A	400 A	630 A	800 A	800 A	1250 A
NFC/DIN fuse size	B1-B2-B3/1	B1-B2-B3/-	B1-B2-B3-B4/2	C1-C2/3	C1-C2-C3/3	-/4	D1/4
Frame size for direct operation	5	6	6	17	17	18	18
Switch body size for front and side operation	15	16	16	17	17	18	18
Rated insulation voltage $U_i$ (V)	750	800	800	1000	1000	1000	1000
Rated impulse withstand voltage $U_{imp}$ (kV)	8	8	8	12	12	12	12

#### Rated operational currents $I_e$ (A)

Rated voltage	Utilisation category	A/B <sup>(1)</sup>	A/B <sup>(1)</sup>	A/B <sup>(1)</sup>	A/B <sup>(1)</sup>	A/B <sup>(1)</sup>	A/B <sup>(1)</sup>	A/B <sup>(1)</sup>
400 VAC	AC-22 A / AC-22 B	250/250	315/315	400/400	630/630	800/800	800/800	1250/1250
400 VAC	AC-23 A / AC-23 B	250/250	315/315	400/400	630/630	800/800	800/800	1000/1250
690 VAC	AC-22 A / AC-22 B	250 <sup>(2)</sup> /250 <sup>(2)</sup>	315 <sup>(2)</sup> /315 <sup>(2)</sup>	400/400	500/630	800/800	800/800 <sup>(7)</sup>	800/1250
690 VAC	AC-23 A / AC-23 B	250 <sup>(2)</sup> /250 <sup>(2)</sup>	250 <sup>(2)</sup> /315 <sup>(2)</sup>	400/400	315/400	630/630	800/800 <sup>(7)</sup>	800/630
220 VDC	DC-20 A / DC-20 B	250/250	250/250	315/315	315/630	800/800	800/800	1250/1250
220 VDC	DC-21 A / DC-21 B	200/200	200/200	200/315	400/630	800/800	800/800	1250/1250
440 VDC	DC-22 A / DC-22 B	250 <sup>(3)</sup> / 250 <sup>(3)</sup>	250 <sup>(3)</sup> / 250 <sup>(3)</sup>	315 <sup>(4)</sup> /315 <sup>(4)</sup>	315/630 <sup>(4)</sup>	800 <sup>(3)</sup> / 800 <sup>(3)</sup>	800/800	1000 <sup>(3)</sup> / 1000 <sup>(3)</sup>
440 VDC	DC-23 A / DC-23 B	200 <sup>(3)</sup> / 200 <sup>(3)</sup>	200 <sup>(3)</sup> / 200 <sup>(3)</sup>	250 <sup>(4)</sup> / 315 <sup>(4)</sup>	400 <sup>(4)</sup> /630 <sup>(4)</sup>	800 <sup>(3)</sup> / 800 <sup>(3)</sup>	800/800 <sup>(3)</sup>	1000 <sup>(3)</sup> / 1000 <sup>(3)</sup>

#### Operational power in AC-23 (kW)

At 400 VAC without pre-break in AC <sup>(1)(5)</sup>	132/132	160/160	220/220	355/355	450/450	450/450	560/560
At 690 VAC without pre-break in AC <sup>(1)(5)</sup>	220/220	220/295	220/295	295/400	400/400	400/400	400/475

#### Reactive power (kvar)

At 400 VAC <sup>(5)</sup>	115	145	185	290	365	355	460
---------------------------	-----	-----	-----	-----	-----	-----	-----

#### Fuse protected short-circuit withstand (kA rms prospective)

Prospective short-circuit (kA rms) <sup>(6)</sup>	80/100	80/-	80/50	80/100	80/100	-/100	-/100
Associated fuse rating (A) <sup>(6)</sup>	250/250	315/-	400/400	630/630	800/800	-/800	-/1250

#### Short-circuit capacity

Rated peak withstand current (kA peak) <sup>(6)</sup>	32.5	40	40	70	80	80	90
---	------	----	----	----	----	----	----

#### Fuse selection (maximum fuse size)<sup>(7)</sup>

SOCOMECS BS88	6B20 0250	6B30 0315	6B40 0400	6C20 0630	6C30 0800		
SOCOMECS BS88	6B2M 3015	6B3M 0400	6B4M 0500				
SOCOMECS DIN	6712 0250		6722 0400	6732 0400		6746 0800	6746 1200
SOCOMECS DIN	6713 0250		6723 0400	6733 0400		6747 0800	6747 1200
BUSSMANN	ED 250	ED 315	ED 400	FF 630	GF 800		
BUSSMANN	DD 200M315	ED 315M400	ED 400M500				
LAWSON	TKF 250	TKF 315	TMF 400	TTM 630	TLM 800		
LAWSON	TF 200M315	TKF 315M400	TMF 400M500				
GE	TKF 250	TKF 315	TMF 400	TTM 630	TLM 800		
GE	TF 200M315	TKF 315M355	TMF 400M450				

#### Connection

Minimum Cu cable cross-section (mm <sup>2</sup> )	95	185	185	2 x 150	2 x 185		
Maximum Cu cable cross-section (mm <sup>2</sup> )	240	240	240	2 x 300	2 x 300	4 x 185	4 x 185
Maximum busbar width (mm)	32	45	45	63	63	80	80
Tightening torque min (Nm)	20/26	20/26	20/26	40/45	40/45	40/45	40/45

#### Mechanical characteristics

Durability (number of operating cycles)	10 000	10 000	10 000	8 000	8 000	5 000	5 000
Weight of 3 P switch (kg)	3.2	4.8	4.8	16	17	25	25
Weight of 4 P switch (kg)	4.5	6.1	6.1	20	21.5	30	30
Weight of 1 P extra (kg)	1.3	1.3	1.3			3	3
Frame pitch (mm)	60	66	66	94	94	120	120

(1) Category with index A = frequent operation - Category with index B = infrequent operation.

(2) With terminal shrouds or terminal screen.

(3) 4-pole device with 2 pole in series by polarity.

(4) Poles cannot be juxtaposed.

(5) The power value is given for information only, the current values vary from one manufacturer to another.

(6) For a rated operational voltage  $U_n = 400$  VAC.

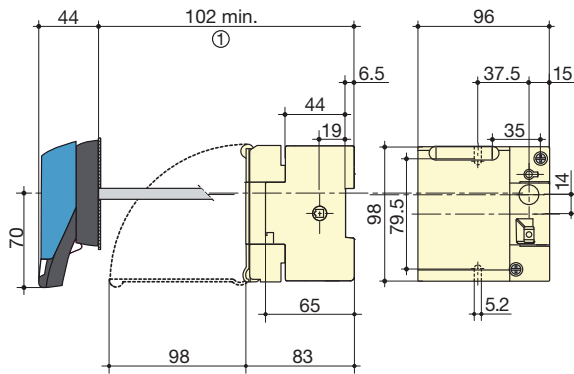
(7) Fuse 800 A, 690 VAC does not exist, tests conducted with bars.

\*\* Please ensure that fuse let through current does not exceed short-circuit capacity of the switch (kA peak).

## External operation

### BS88 - FUSERBLOC CD 20 to CD 32 A in size A1

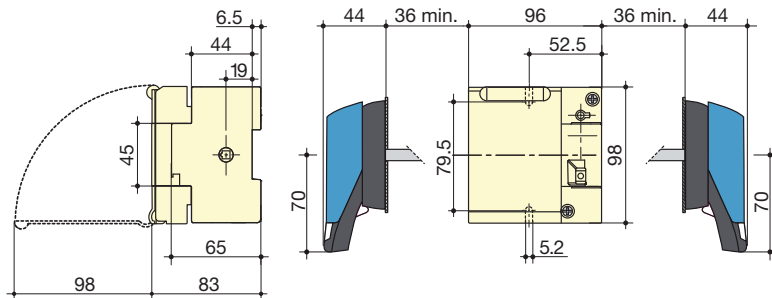
External front operation



v/fuser\_292\_d\_1\_x\_cat

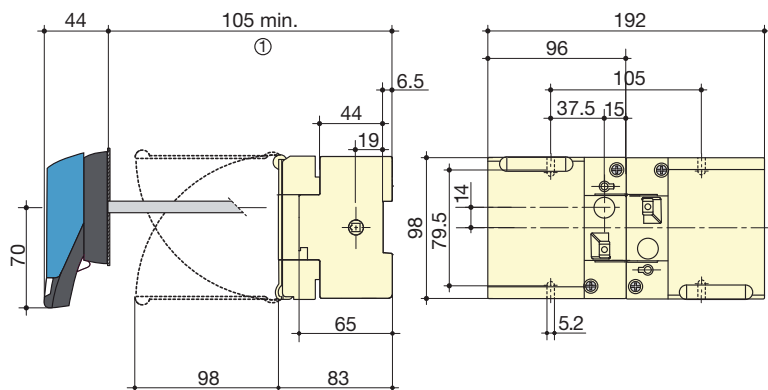
1. With 1 U-type AC: 130 mm  
 With 2 U-type AC: 155 mm.

External side operation



fuser\_295\_c\_1\_x\_cat

External front operation fuse combination changeover



fuser\_440\_b\_1\_x\_cat

1. With 1 U-type AC: 130 mm  
 With 2 U-type AC: 155 mm.

# FUSERBLOC

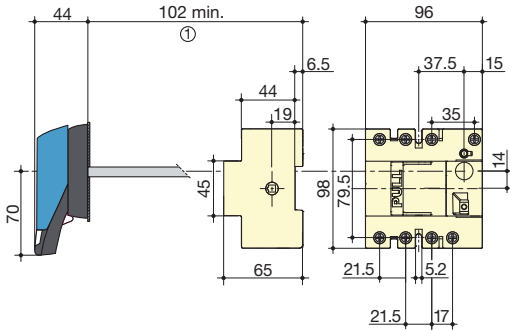
Fuse combination switches

for industrial fuses up to 1250 A

## External operation

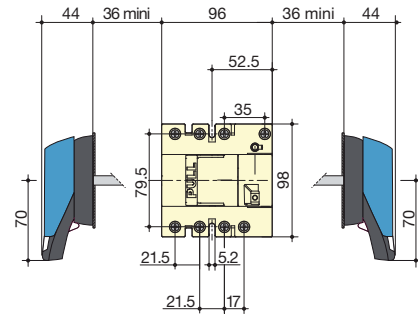
### NFC and DIN - FUSERBLOC 25 to 32 A in size 10 x 38

External front operation



fuser\_291\_d\_1\_x\_cat

External side operation

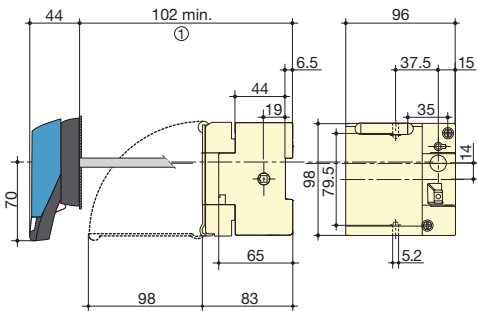


fuser\_294\_c\_1\_x\_cat

1. With 1 U-type AC: 130 mm.  
With 2 U-type AC: 155 mm.

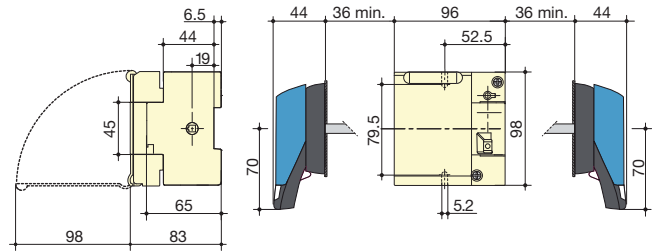
### NFC and DIN - FUSERBLOC 32 A in size 14 x 51

External front operation



fuser\_292\_d\_1\_x\_cat

External side operation

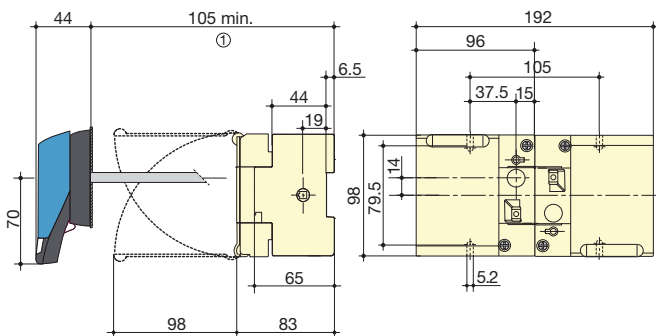


fuser\_295\_c\_1\_x\_cat

1. With 1 U-type AC: 130 mm.  
With 2 U-type AC: 155 mm.

### NFC and DIN - FUSERBLOC 25 to 32 A in size 10 x 38 and 14 x 51

External front operation fuse combination changeover



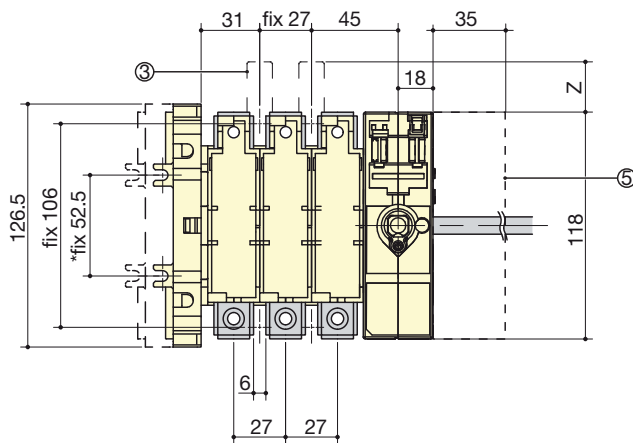
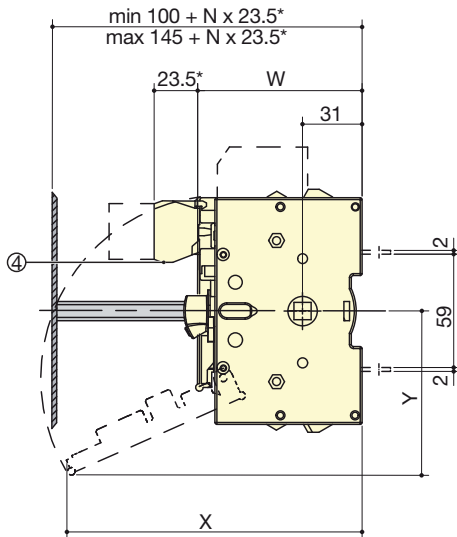
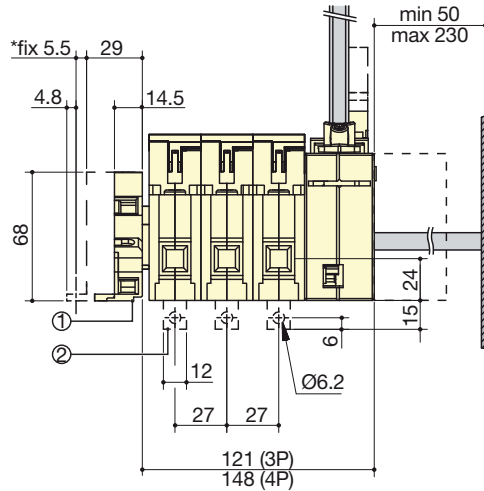
fuser\_440\_b\_1\_x\_cat

1. With 1 U-type AC: 130 mm.  
With 2 U-type AC: 155 mm.

## External front or right side operation

BS88 - FUSERBLOC 32 A in fuse size A1

NFC and DIN - FUSERBLOC 50 A in fuse size 14 x 51



\* to use if pre-break auxiliary contact number > 4  
W: 84.5 for BS88; 87 for NFC and DIN  
X: 153 only for DIN  
Y: 85 only for DIN  
Z: 26 only for DIN

1. S-type auxiliary contact NO + NC to use if block number > 4  
2. Rear connection (option)  
3. 1 or 2 pre-break auxiliary contact (fuse blown indication)  
4. 1 to 4 pre-break auxiliary contact for signalisation  
5. Additional contact holder for U-type AC

## Dimensions for external operation handles

BS88 - FUSERBLOC 32 to 63 A - NFC and DIN - FUSERBLOC 25 to 63 A

Handle type	Front operation		Side operation	
	Direction of operation	Door drilling	Direction of operation	Door drilling
<b>S1 type</b> Box size 0  				



# FUSERBLOC

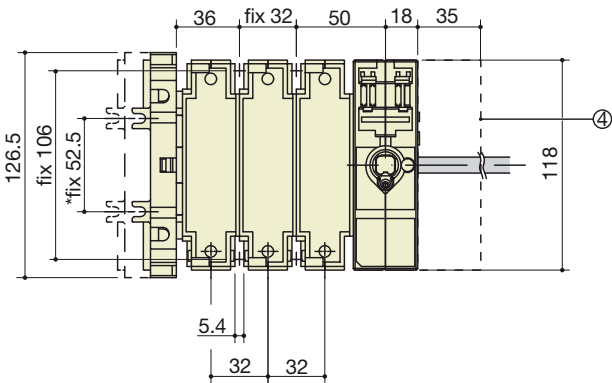
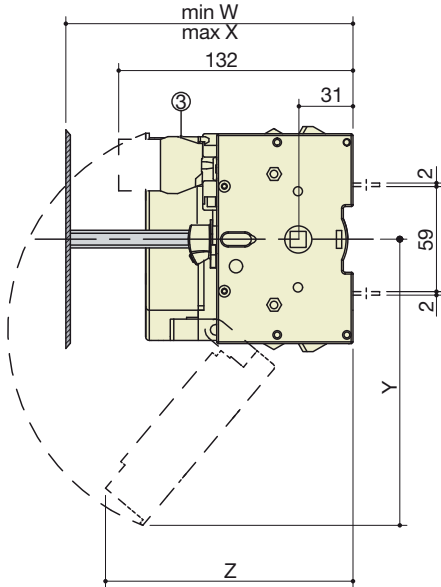
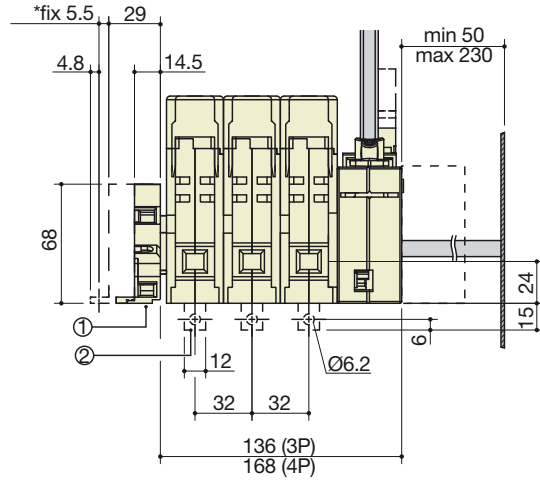
Fuse combination switches

for industrial fuses up to 1250 A

External front or right side operation

BS88 - FUSERBLOC 63 A in fuse size A2 - A3

NFC and DIN - FUSERBLOC 63 A in fuse size 00C



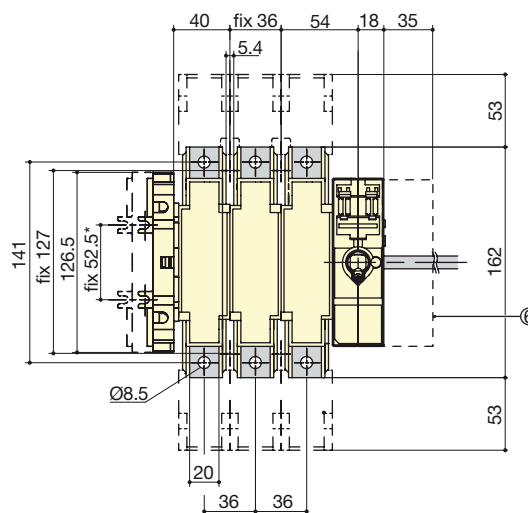
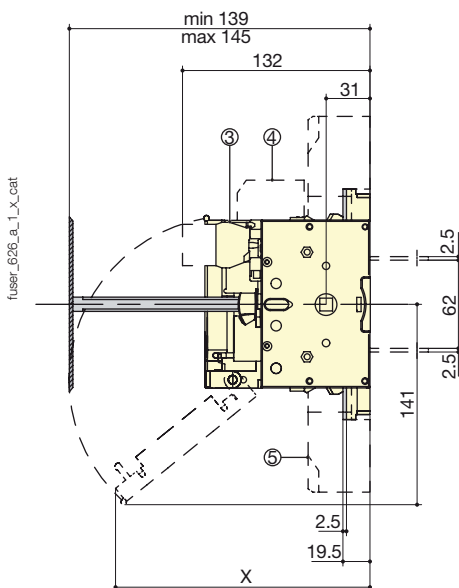
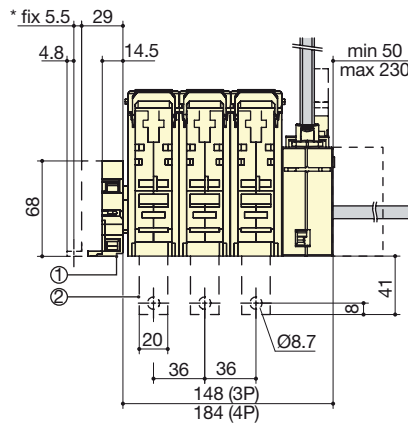
\* to use if pre-break auxiliary contact number > 4  
 W: 124 + N x 23.5 for BS88; 139 for NFC and DIN  
 X: 145 + N x 23.5 for BS88; 145 for NFC and DIN  
 Y: 159 only for DIN  
 Z: 145 only for DIN

1. S-type auxiliary contact NO + NC to use if block number > 4  
 2. Rear connection (option)  
 3. 1 to 4 pre-break auxiliary contact for signalisation  
 4. Additional contact holder for U-type AC

BS88 - FUSERBLOC 100 A  
in fuse size A4 - max Ø 31 mm

NFC and DIN

- FUSERBLOC 100 to 125 A in fuse size 22 x 58
- FUSERBLOC 125 to 160 A in fuse size 00



\* to use if pre-break auxiliary contact number > 4  
X: 179 for BS88 / NFC and DIN 100 to 125 A  
189 for NFC and DIN 125 to 160 A

1. S-type auxiliary contact NO + NC to use if block number > 4
2. Rear connection (option)
3. 1 to 4 pre-break auxiliary contact for signalisation
4. 1 or 2 pre-break auxiliary contact (fuse blown indication)
5. Terminal shrouds
6. Additional contact holder for U-type AC

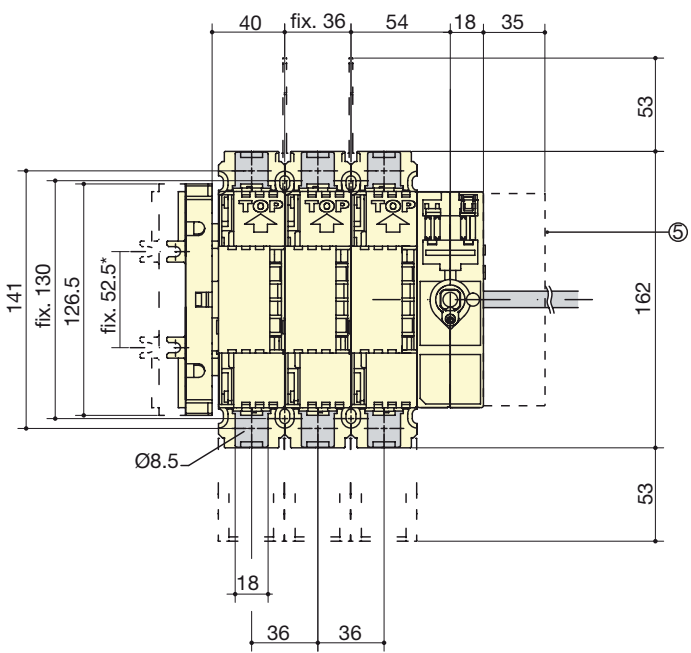
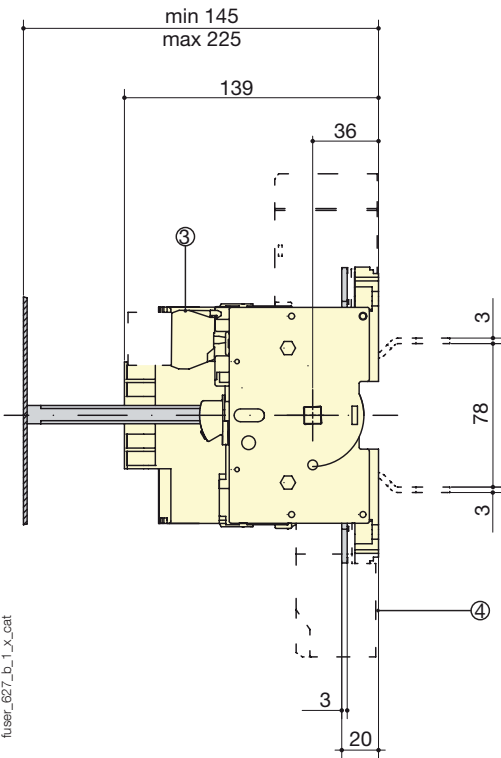
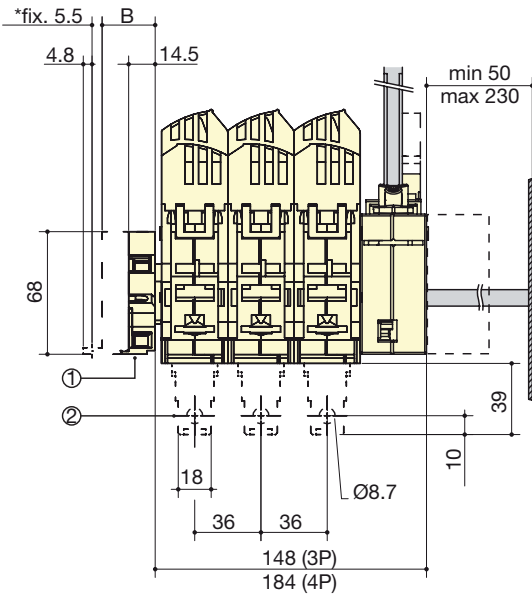
# FUSERBLOC

Fuse combination switches

for industrial fuses up to 1250 A

External front or right side operation

BS88 - FUSERBLOC CD 160 to CD 200 A in fuse size A3-A4 (A4 max Ø 31 mm)

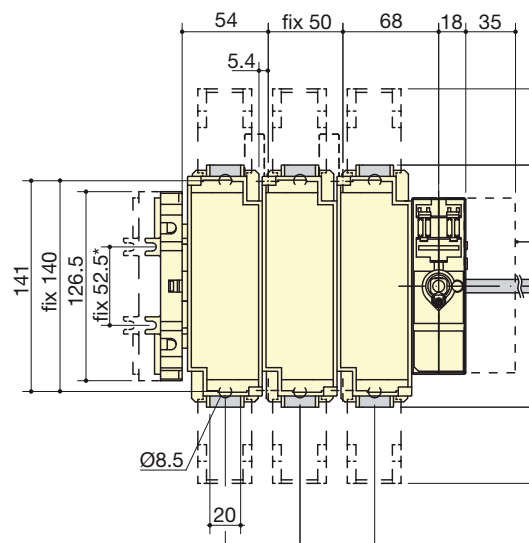
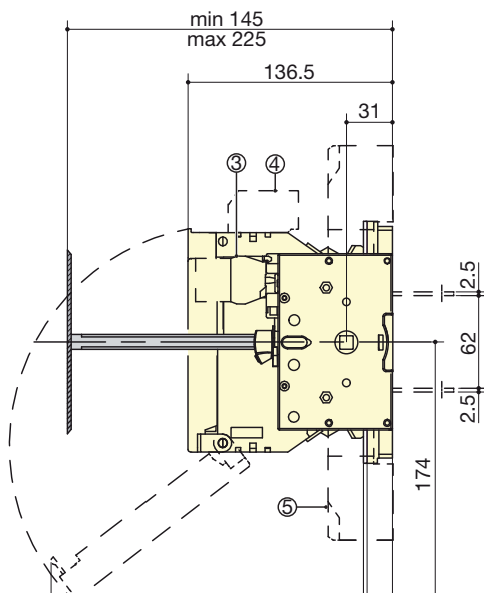
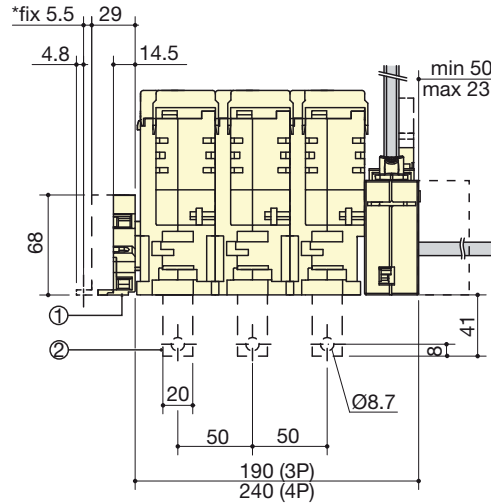


\* to use if pre-break auxiliary contact number > 4  
 1. S-type auxiliary contact NO + NC to use if block number > 4  
 2. Rear connection (option)

3. 1 to 4 pre-break auxiliary contact for signalisation  
 4. Terminal shrouds  
 5. Additional contact holder for U-type AC

BS88 - FUSERBLOC 160 A in fuse size A4 & B1-B2

NFC and DIN - FUSERBLOC 160 A in fuse size 0



- \* to use if pre-break auxiliary contact number > 4  
 1. S-type auxiliary contact NO + NC to use if block number > 4  
 2. Rear connection (option)  
 3. 1 to 4 pre-break auxiliary contact for signalisation

4. 1 or 2 pre-break auxiliary contact (fuse blown indication)  
 5. Terminal shrouds  
 6. Additional contact holder for U-type AC

# FUSERBLOC

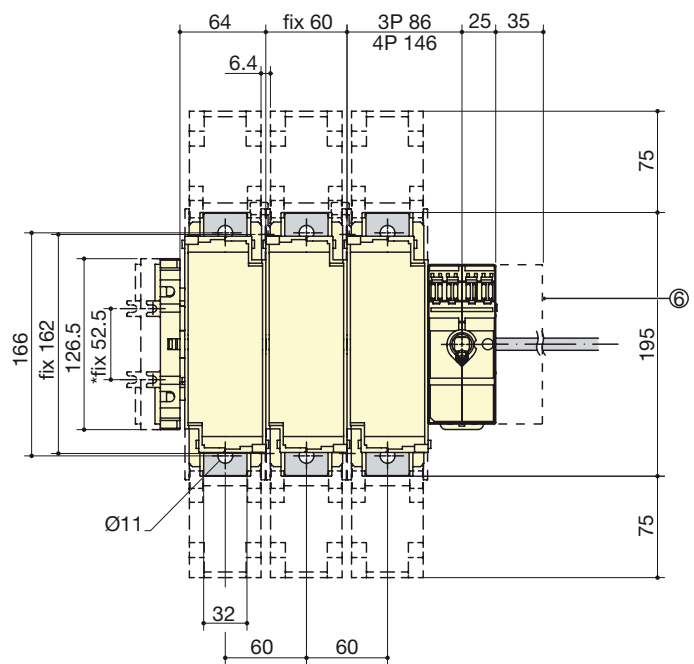
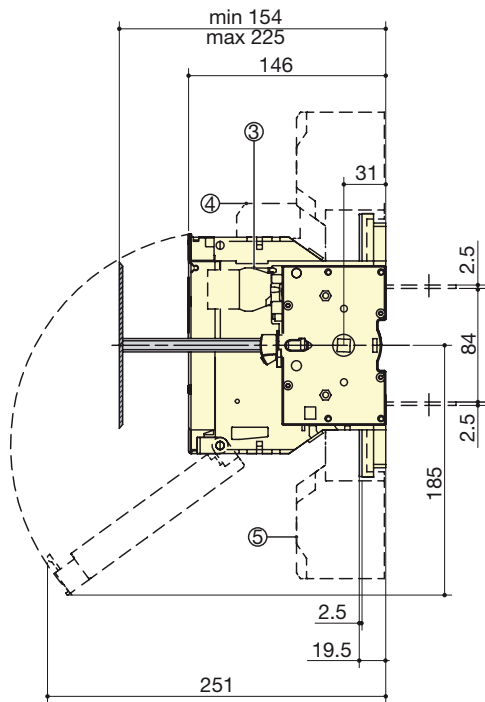
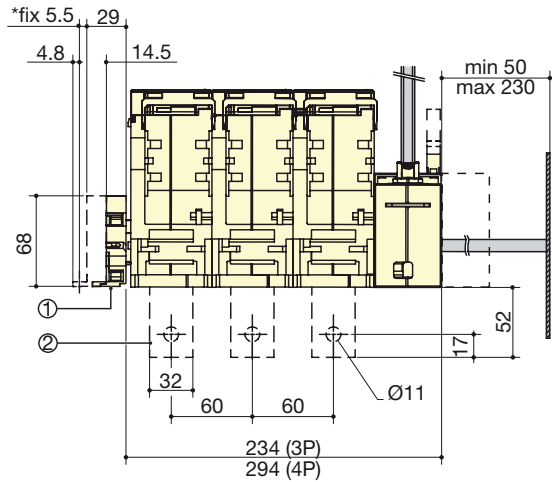
Fuse combination switches

for industrial fuses up to 1250 A

External front or right side operation

BS88 - FUSERBLOC 200 A in fuse size B1-B2  
FUSERBLOC 250 A in fuse size B1-B2-B3

NFC and DIN - FUSERBLOC 250 A in fuse size 1



\* to use if pre-break auxiliary contact number > 4

1. S-type auxiliary contact NO + NC to use if block number > 4
2. Rear connection (option)
3. 1 to 8 pre-break auxiliary contact for signalisation

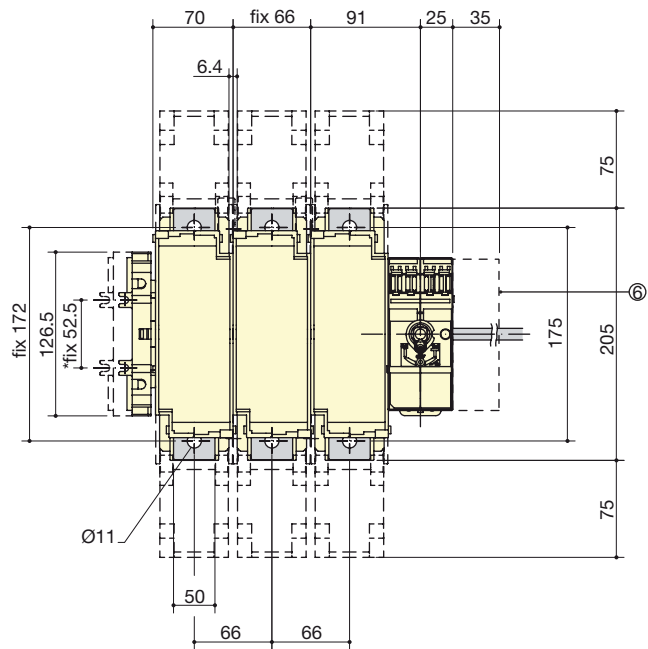
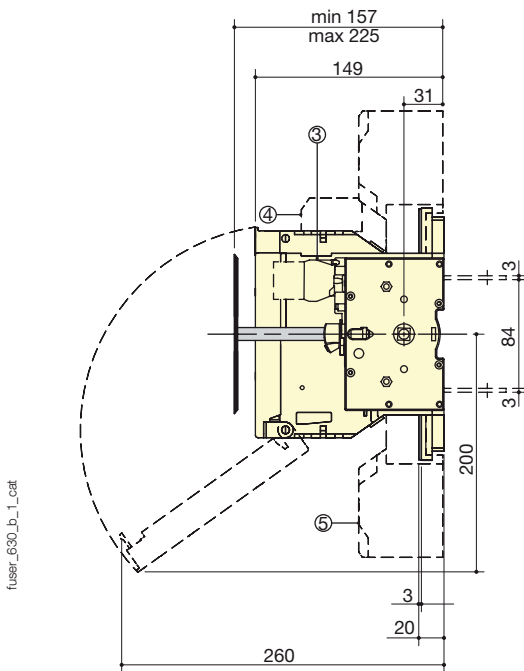
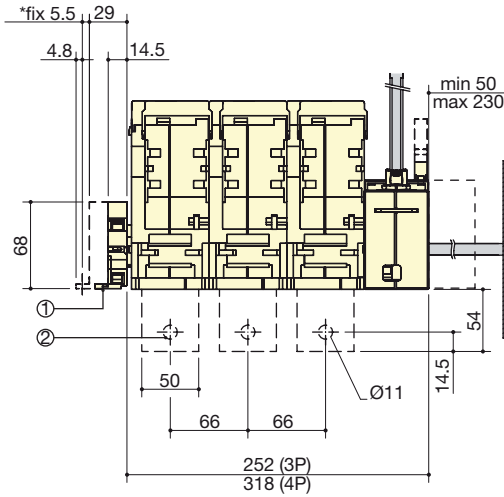
4. 1 or 2 pre-break auxiliary contact (fuse blown indication)

5. Terminal shrouds
6. Additional contact holder for U-type AC

BS88 - FUSERBLOC 315 A in fuse size B1-B2-B3  
FUSERBLOC 400 A in fuse size B1-B2-B3-B4

NFC and DIN - FUSERBLOC 400 A in fuse size 2

- \* to use if pre-break auxiliary contact number > 4
1. S-type auxiliary contact NO + NC to use if block number > 4
  2. Rear connection (option)
  3. 1 to 8 pre-break auxiliary contact for signalisation, 1 or 2 pre-break auxiliary contact (fuse blown indication)
  5. Terminal shrouds
  6. Additional contact holder for U-type AC



## Dimensions for external operation handles

BS88 / NFC and DIN - FUSERBLOC 100 to 400 A

Handle type	Front operation		Side operation	
	Direction of operation	Door drilling	Direction of operation	Door drilling
<b>S2 type</b> Box size 11-16  				

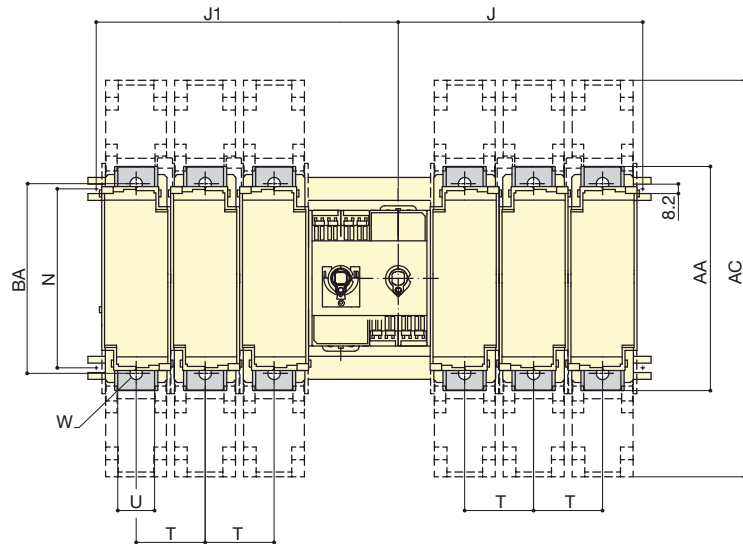
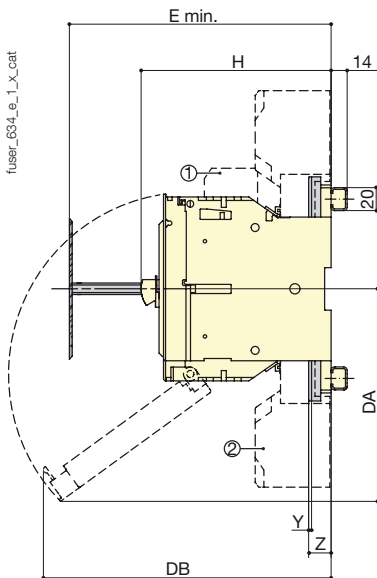
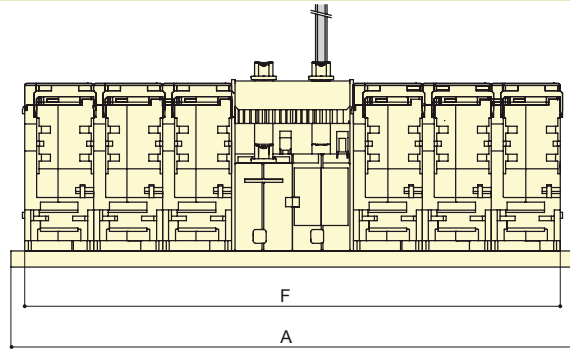
# FUSERBLOC

Fuse combination switches

for industrial fuses up to 1250 A

## BS88 - External front operation fuse combination changeover

FUSERBLOC 32 to 400 A



- A. S1 handle: 32 and 63 A
- B. S1 handle: 100 to 400 A
- C. Door drilling

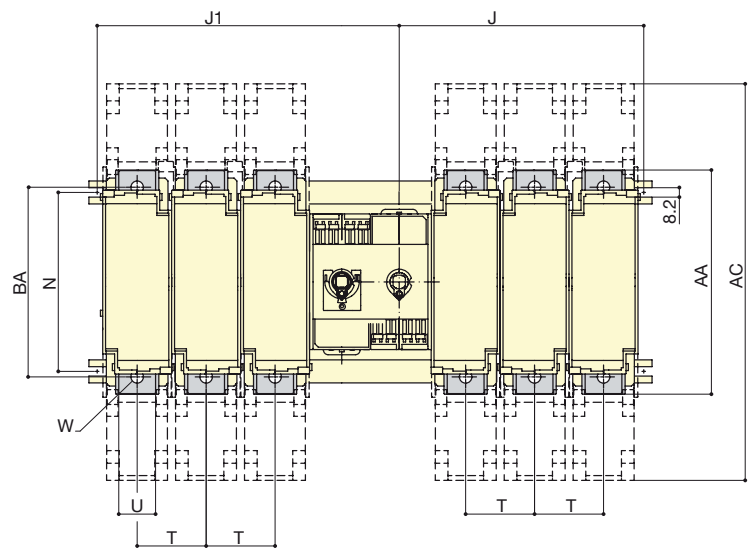
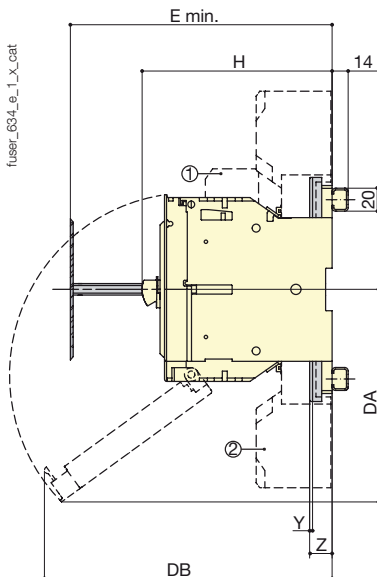
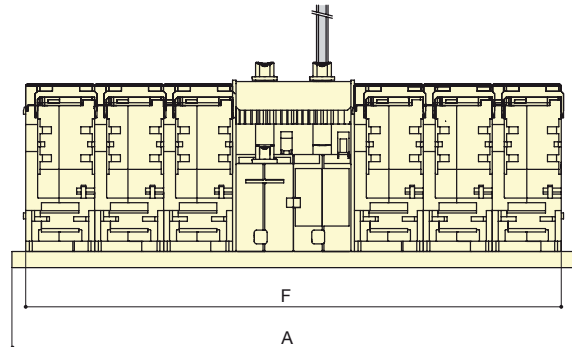
- 1. Fuse blown indication not available for BS88
- 2. Terminal shrouds

Rating (A)	Fuse size	Frame size	Dimensions				Terminal shrouds		Switch body								Switch mounting		Connection					
			A 3 P	A 4 P	E min	E max	AC	F 3 P	F 4 P	H	J 3 P	J 4 P	J 1 3 P	J 1 4 P	DA	DB	N	T	U	W	Y	Z	AA	BA
32	A1	11	264	318	100 <sup>(1)</sup>	146 <sup>(1)</sup>		242	296	87	102	129	138	165	85	153	90	27						118
63	A2-A3	12	294	358	124	145		272	336	116.5	121	153	157	189	159	145	90	32						118
100	A4	13	318	390	124	145	268	296	368	116 <sup>(2)</sup>	133	169	169	205	141	179	128	36	20	8.5	2.5	19.5	162	141
CD 160	A3-A4	13 A	318	390	145	225	268	296	368	139	133	169	169	205			128	36	18	8.5	3	20	162	141
160	A4	14	402	502	124	225	268	380	480	136.5	176	226	212	262	174	229	128	50	20	8.5	2.5	19.5	162	141
160	B1-B2	14	402	502	130	225	268	380	480	136.5	176	226	212	262	174	229	128	50	20	8.5	2.5	19.5	162	141
CD 200	A3-A4	13 A	318	390	145	225	268	296	368	139	133	169	169	205			128	36	18	8.5	3	20	162	141
200	B1-B2	15	490	610	130	225	345	468	588	146	213	273	263	323	185	251	155	60	32	11	2.5	19.5	195	166
250	B1-B2-B3	15	490	610	154	225	345	468	588	146	213	273	263	323	185	251	155	60	32	11	2.5	19.5	195	166
315	B1-B2-B3	16	526	658	154	225	355	504	636	149	231	297	281	347	200	260	168	66	50	11	3	20	205	175
400	B1-B2-B3-B4	16	526	658	157	225	355	504	636	149	231	297	281	347	200	260	168	66	50	11	3	20	205	175

(1) 1 AC: + 23.5 mm / 2 AC: + 47 mm.  
 (2) 132 mm with 2 AC.

## NFC and DIN - External front operation fuse combination changeover

### FUSERBLOC 50 to 400 A



- A. S1 handle: 50 and 63 A
- B. S2 handle: 100 to 400 A
- C. Door drilling

- 1. Fuse blown indication not available for BS88
- 2. Terminal shrouds

Rating (A)	Fuse size	Frame size	Overall dimensions				Terminal shrouds AC	Switch body								Switch mounting		Connection							
			A 3p	A 4p	E min	E max		F 3P	F 4P	H	J 3P	J 4P	J1 3P	J1 4P	DA	DB	N	T	U	W	Y	Z	AA	BA	
50	14 x 51	11	264	318	100 <sup>(1)</sup>	146 <sup>(1)</sup>		121	148	87 <sup>(1)</sup>	102	129	138	165	85	153	90	27						118	
63	00C	12	294	358	125	145		136	168	116.5 <sup>(2)</sup>	121	153	158	189	159	145	90	32						118	
100	22 x 58	13	318	390	135	145	268	148	184	116 <sup>(2)</sup>	133	169	169	205	141	187	128	36	20	8.5	2.5	19.5	162	141	
125	22 x 58	13	318	390	135	145	268	148	184	116 <sup>(2)</sup>	133	169	169	205	141	179	128	36	20	8.5	2.5	19.5	162	141	
125	00	13	318	390	135	145	268	148	184	126.5	133	169	169	205	141	193	128	36	20	8.5	2.5	19.5	162	141	
160	00	13	318	390	135	145	268	148	184	126.5	133	169	169	205	141	193	128	36	20	8.5	2.5	19.5	162	141	
160	0	14	402	502	145	225	268	190	240	136.5	176	226	212	262	174	229	128	50	20	8.5	2.5	19.5	162	141	
250	1	15	490	610	154	225	345	234	294	146	213	273	263	323	185	251	155	60	32	11	2.5	19.5	195	166	
400	2	16	526	658	157	225	355	252	318	149	231	297	281	347	200	260	168	66	50	11	3	20	205	175	

(1) 1 AC: +23.5 / 2 AC: +47  
(2) 132 with 2 AC



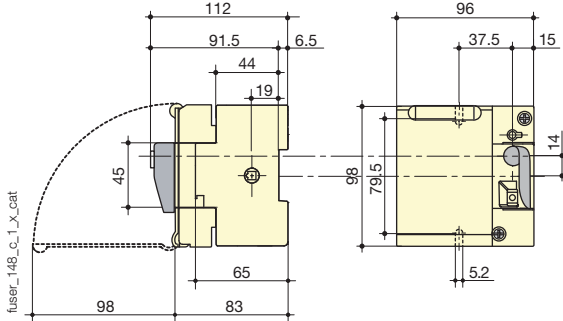
# FUSERBLOC

Fuse combination switches

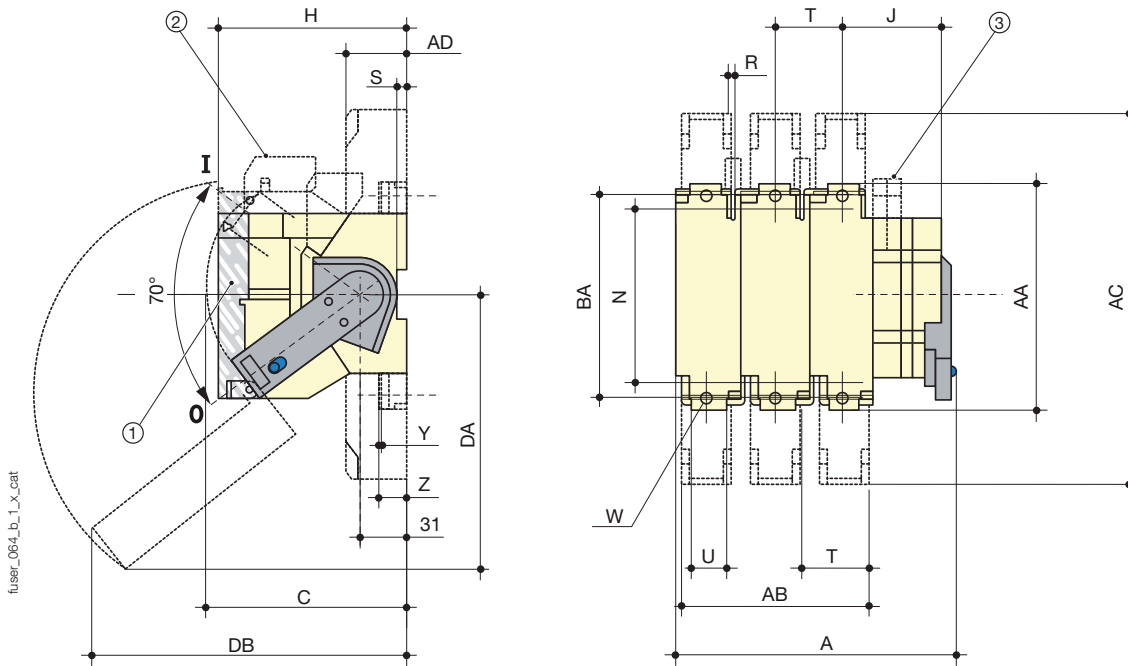
for industrial fuses up to 1250 A

## BS88 - Direct operation

FUSERBLOC CD 20 to CD 32 A in frame size 0 / fuse size A1



## FUSERBLOC 32 to 400 A



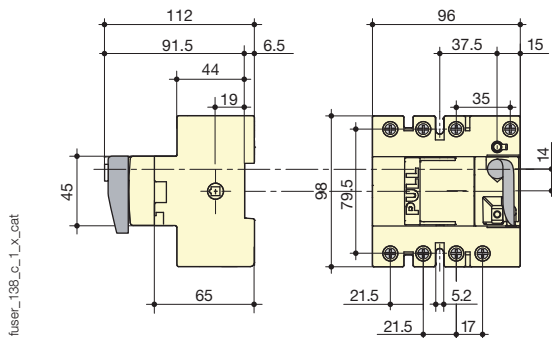
1. Protection screen lockable in position I
2. 1 or 2 fuse blown indication.
3. 1 or 2 A type ACs

Rating (A)	Fuse size	Frame size	Dimensions			Terminal shrouds				Switch body				Switch mounting				Connection										
			A 3 P xxx	A 4 P xxx	C	AB 3 P	AB 4 P	AC	AD	H	J	DA	DB	N	R	S	T	U	W	Y	Z	AA	BA					
32	A1	1	133	165	134					116.5	36	159	145	106	5.4	6.5	27										118	
63	A2-A3	2	133	165	134					116.5	36	159	145	106	5.4	6.5	32										118	
100	A4	3	150	186	173	108	144	268	44	116	38			127	5.4		36	20								162	141	
CD 160	A3-A4	3 A	152	188	173	108	144	268	44	139	38			130	5.4		36	20								162	141	
160	A4	4	150	186	173	108	144	268	44	116	38			127	5.4		50	20								162	141	
160	B1-B2	4	192	242	173	136	172	268	44	123	45			140	5.4		50	20								162	141	
CD 200	A3-A4	3 A	152	188	173	108	144	268	44	139	38			130	5.4		36	20								162	141	
200	B1-B2	5	192	242	173	136	172	345	44	123	45			140	5.4		60	20								195	166	
250	B1-B2-B3	5	253	313	173	180	240	345	65	146	81	185	251	162	6.4		60	32	11	2.5	19.5	19.5				195	166	
315	B1-B2-B3	6	253	313	173	180	240	355	65	146	81	185	251	162	6.4		66	32	11	2.5	19.5	19.5				175		
400	B1-B2-B3-B4	6	271	337	173	192	258	355	65	149	86	200	260	172	6.4		66	50	11	3	20	205				175		

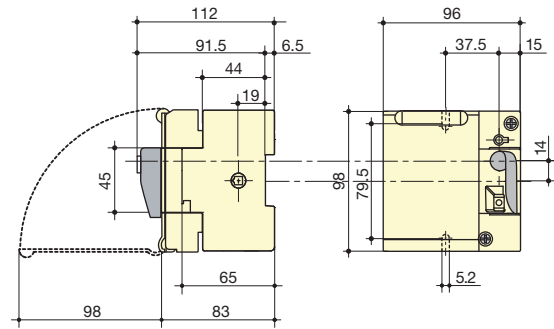
## NFC and DIN - Direct operation

FUSERBLOC 25 to 32 A in frame size 0 / fuse size 10 x 38

FUSERBLOC 32 A in frame size 0 / fuse size 14 x 51

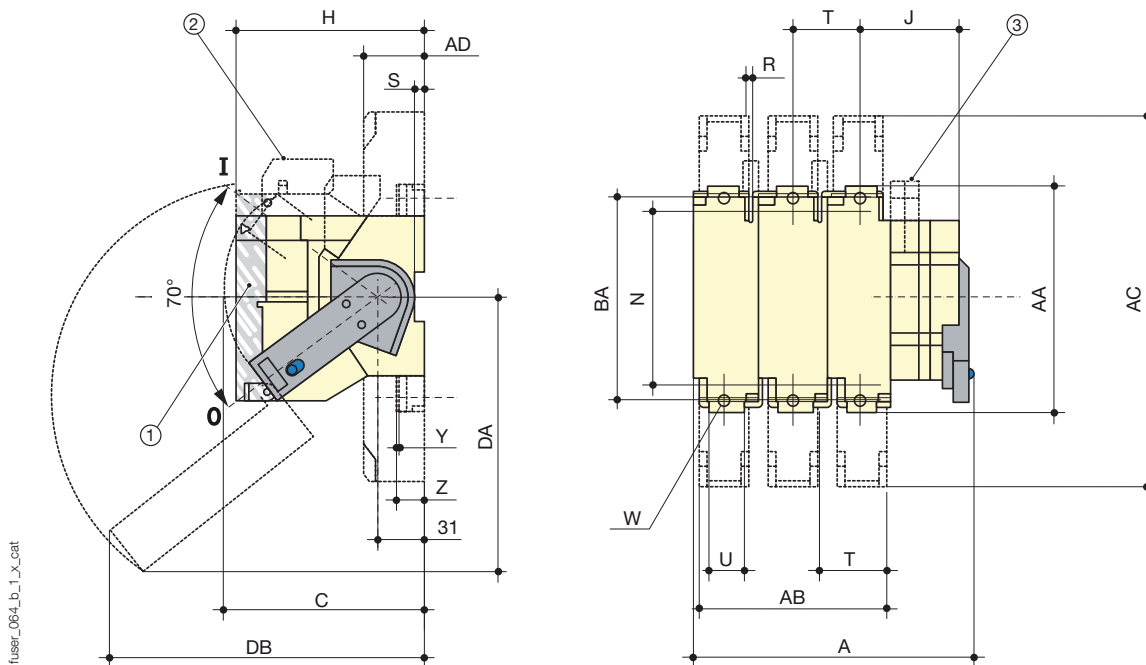


fuser\_138\_c\_1\_x\_cat



fuser\_148\_c\_1\_x\_cat

## FUSERBLOC 50 to 400 A



fuser\_064\_b\_1\_x\_cat

1. Protection screen lockable in position I
2. 1 or 2 fuse blown indication.
3. 1 or 2 A type ACs

Rating (A)	Fuse size	Frame size	Overall dimensions			Terminal shrouds				Switch body				Switch mounting				Connection					
			A 3 P	A 4 P	C	AB 3 P	AB 4 P	AC	AD	H	J	DA	DB	N	R	S	T	U	W	Y	Z	AA	BA
50	14 x 51	1	118	145	134					87	33.5			106	5.4	6.5	27					118	
63	00C	2	133	165	134					116.5	36	159	145	106	5.4	6.5	32					118	
100	22 x 58	3	150	186	173	108	144	268	44	116	38			127	5.4		36	20	8.5	2.5	19.5	162	141
125	22 x 58	3	150	186	173	108	144	268	44	116	38			127	5.4		36	20	8.5	2.5	19.5	162	141
125	00	3	150	186	173	108	144	268	44	126.5	38	141	193	127	5.4		36	20	8.5	2.5	19.5	162	141
160	00	3	150	186	173	108	144	268	44	126.5	38	141	189	127	5.4		36	20	8.5	2.5	19.5	162	141
160	0	4	192	242	173	136	172	268	44	136.5	45	174	229	140	5.4		50	20	8.5	2.5	19.5	162	141
250	1	5	253	313	173	180	240	345	65	146	81	185	251	162	6.4		60	32	11	2.5	19.5	195	166
400	2	6	271	337	173	192	258	355	65	149	86	200	260	172	6.4		66	50	11	3	20	205	175

# FUSERBLOC

Fuse combination switches

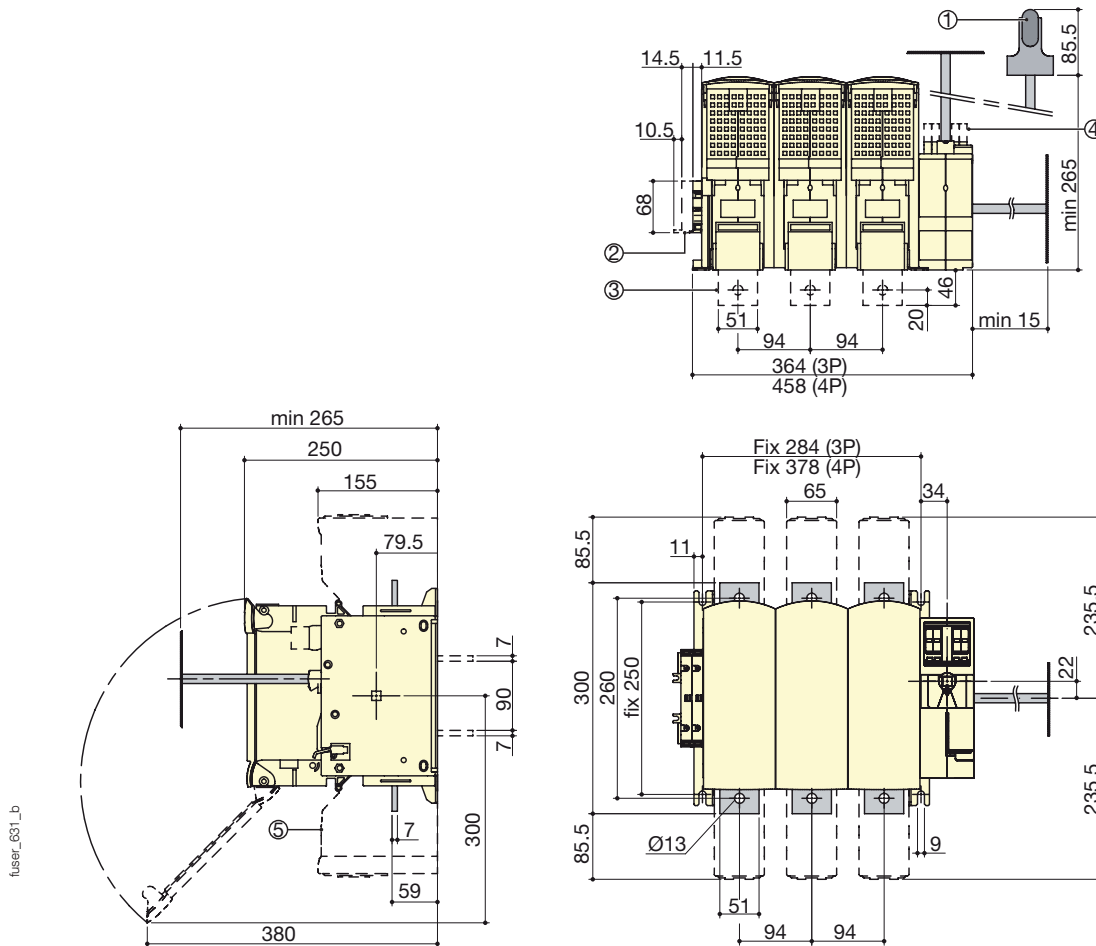
for industrial fuses up to 1250 A

Direct and external front or right side operation

BS88 - FUSERBLOC 630 A in fuse size C1-C2

FUSERBLOC 800 A in fuse size C1-C2-C3

NFC and DIN - FUSERBLOC 630 to 800 A in fuse size 3



1. Direct operation
2. S-type auxiliary contact NO + NC
3. Rear connection (option)
4. 1 to 8 pre-break auxiliary contact for signalisation
5. Terminal shrouds

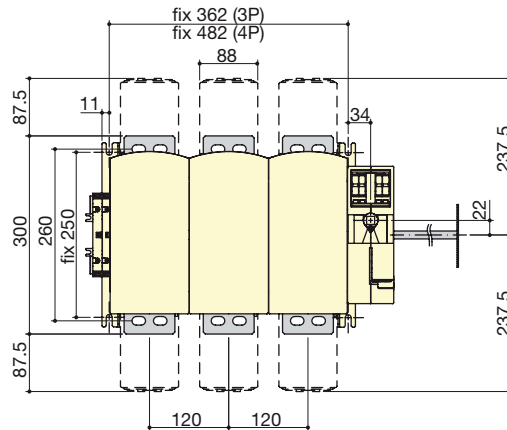
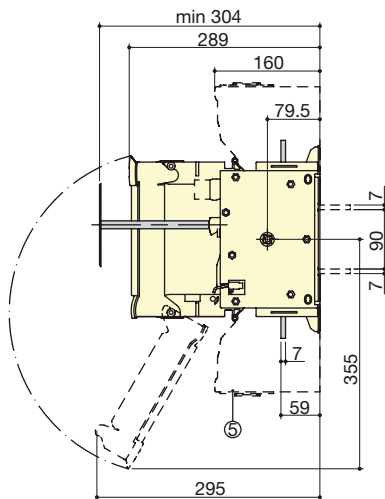
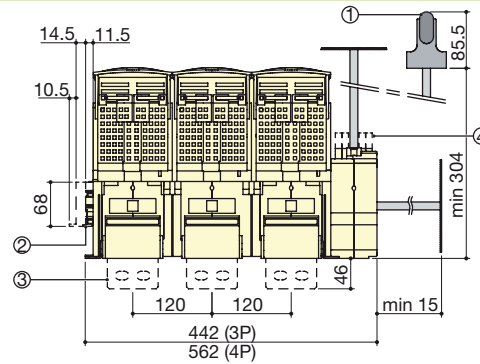
## Dimensions for external operation handles

FUSERBLOC 630 to 800 A

Handle type	Direction of operation	Door drilling	Direction of operation	Door drilling
<b>S3 type</b> Box size 17 	<b>Front operation</b> 		<b>Side operation</b> 	

## BS88 - FUSERBLOC 1250 A in fuse size D1 NFC and DIN - FUSERBLOC 800 to 1250 A in fuse size 4

1. Direct operation
2. S-type auxiliary contact NO + NC
3. Rear connection (option)
4. 1 to 8 pre-break auxiliary contact for signalisation
5. Terminal shrouds



fuser\_632\_b\_1\_x\_cat

## FUSERBLOC 800 to 1250 A

Handle type	Front operation Direction of operation	Side operation Direction of operation	Door drilling
<b>S3 type</b> Box size 18 $\varnothing 3.07$ $\varnothing 78$			
<b>S4 type</b> $\varnothing 78$			

fuser\_715\_a\_1\_gb\_cat